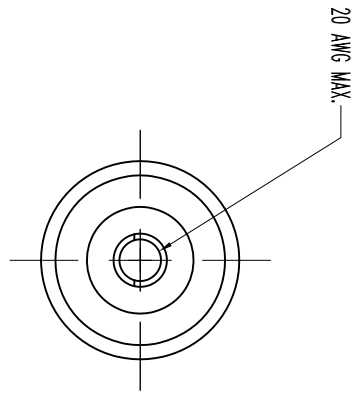
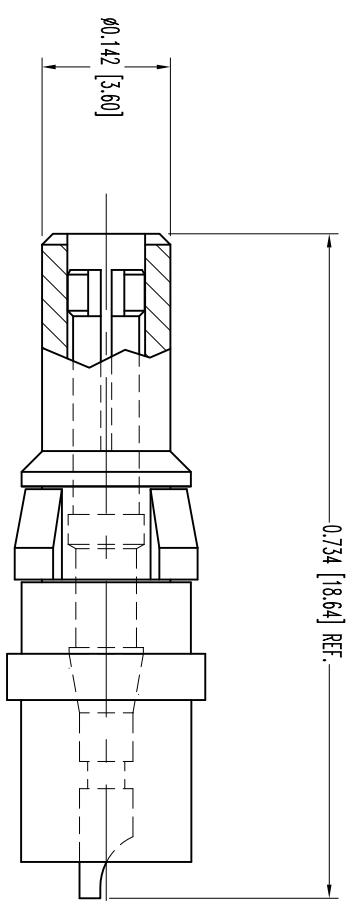


THIS DRAWING CONTAINS INFORMATION PROPRIETARY TO CONNECT POSITRONIC AND IS SUBJECT TO THE TERMS AND CONDITIONS OF THE LICENSE AGREEMENT. THE USER EMPLOYER'S SUCH INFORMATION AT HIS OWN DISCRETION. RESULTS OBTAINED OR DAMAGES INCURRED FROM USE OF SUCH INFORMATION IN WHOLE OR IN PART.



- NOTES:
1. MATERIAL AND FINISHES:  
CONTACT: COPPER ALLOY 0.000030 [0.76μ] GOLD OVER NICKEL PLATE.  
INSULATOR: TEFLON, PTFE.  
RETENTION RING: BERYLLIUM COPPER, NICKEL PLATE.
  2. DETAILED PRODUCT, ELECTRICAL, AND MECHANICAL INFORMATION IS AVAILABLE IN THE LATEST STANDARD DENSITY COMBO-D PRODUCT PUBLICATION. VISIT [CONNECTPOSITRONIC.COM/PRODUCTS/1/STANDARDENSITYCOMBO-D](http://CONNECTPOSITRONIC.COM/PRODUCTS/1/STANDARDENSITYCOMBO-D) OR [CONNECTPOSITRONIC.COM](http://CONNECTPOSITRONIC.COM).
  3. CONTACTS ARE ROHS COMPLIANT PER ROHS DIRECTIVE 2002/95/EC OF 27 JAN 2003.
  4. DIMENSIONS ARE IN INCHES [MILLIMETERS].

DATE	REV	REVISION RECORD	APP	DR	OK
7-18-06	NC	ECO 26370	RW	YK	COLB
11-9	A	ECO 34719	COLB	BE	COLB

SK7771



**POSITRONIC INDUSTRIES INC.**  
www.connectpositronic.com

FSC# 28198

ANGULAR TOL. ± 5°	DECIMAL TOL. ± 0.015 [0.38]	CBD SERIES	SCALE N.T.S.	DRAWN BY YK	REV. A
DATE 7-18-06	TITLE MS4820D/AA	DRAWING NUMBER SK7771	APPROVED BY RW		