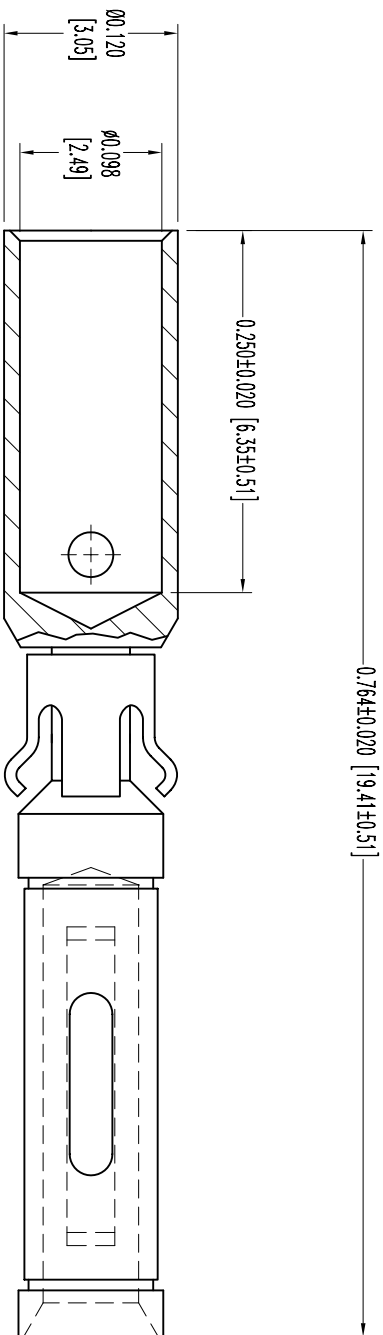



POSTRONIC INDUSTRIES BELIEVES THE DATA ON THIS DRAWING TO BE RELIABLE SINCE THE TECHNICAL INFORMATION IS GIVEN FREE OF CHARGE, THE USER EMPLOYS SUCH INFORMATION AT HIS OWN DISCRETION AND ASSUMES ALL RESPONSIBILITY FOR RESULTS OBTAINED OR DAMAGES INCURRED FROM USE OF SUCH INFORMATION IN WHOLE OR IN PART.



- NOTES:
1. MATERIAL AND FINISHES:
CONTACT: TELLURIUM COPPER, GOLD FLASH OVER NICKEL PLATE.
SPRING CLIP: BERYLLIUM COPPER, GOLD FLASH OVER NICKEL PLATE.
RETENTION RING: BERYLLIUM COPPER, GOLD FLASH OVER NICKEL PLATE.
 2. ELECTRICAL CHARACTERISTICS:
INITIAL CONTACT RESISTANCE: 0.003 OHMS MAX.
 3. WORKING TEMPERATURE: -55°C TO 150°C.
 4. CONTACTS ARE ROHS COMPLIANT PER ROHS DIRECTIVE 2002/95/EC OF 27 JAN 2003.
 5. DIMENSIONS ARE IN INCHES [MILLIMETERS].

DATE	REV	REVISION RECORD	APP	DR	CK
5-8-06	NC	ECO 25932		YK	

SK7344

		POSTRONIC INDUSTRIES INC. www.connectpostronic.com	
DECIMAL TOL. ± 0.015 [0.38]	PCS STRIPS	SCALE N.T.S.	DRAWN BY YK
ANGULAR TOL. $\pm 5^\circ$	DATE 5-8-06	DRAWING NUMBER SK7344	REV. NC
TITLE FC112N2S/AA		APPROVED BY	