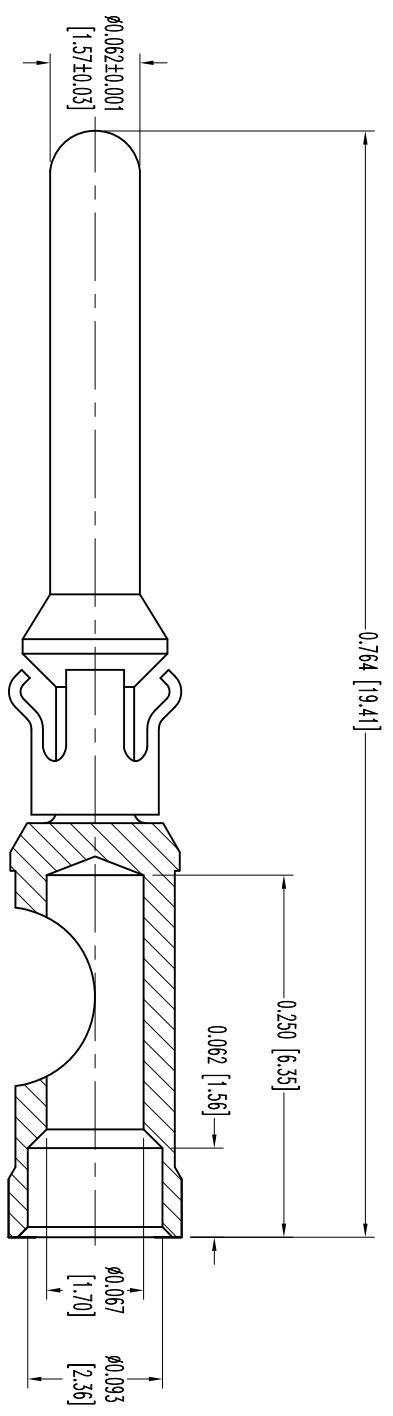


THIS DRAWING CONTAINS INFORMATION PROPRIETARY TO CONNECTROTECH AND IS SUBJECT TO THE TERMS AND CONDITIONS OF THE LICENSE AGREEMENT. ANY REPRODUCTION OR USE OF THIS DRAWING WITHOUT THE WRITTEN PERMISSION OF CONNECTROTECH IS PROHIBITED. THE USER ASSUMES ALL LIABILITY FOR THE USE OF THIS INFORMATION AND THE USER RELEASES CONNECTROTECH FROM ALL LIABILITY FOR SUCH INFORMATION IN WHOLE OR IN PART.



NOTES:  
 1. MATERIALS AND FINISHES:  
 CONTACTS: COPPER ALLOY, GOLD FLASH OVER NICKEL PLATE.  
 SPRING CLIP: BERYLLIUM COPPER, GOLD FLASH OVER NICKEL PLATE.

2. DETAILED PRODUCT, MECHANICAL, AND ELECTRICAL INFORMATION IS AVAILABLE IN THE LATEST STANDARD DENSITY RECTANGULAR PRODUCT PUBLICATION. VISIT [CONNECTROTECH.COM/PRODUCTS/55/STANDARDENSITYRECTANGULAR](http://CONNECTROTECH.COM/PRODUCTS/55/STANDARDENSITYRECTANGULAR) OR [CONNECTROTECH.COM](http://CONNECTROTECH.COM).  
 3. CONTACTS ARE ROHS COMPLIANT PER ROHS DIRECTIVE 2002/95/EC OF 27 JAN 2003.  
 4. DIMENSIONS ARE IN INCHES [MILLIMETERS].

DATE	REV	REVISION/RECORD	APP	DR	CK
5-1-06	1	ECO 25894	TK	YK	TK
2-23-12	A	ECO 35260	COLB	MP	COLB

SK7296



**POSITRONIC INDUSTRIES INC.**  
[www.connectpositronic.com](http://www.connectpositronic.com) FSC# 28198

DECIMAL TOL. ± 0.015 [0.38]	ANGULAR TOL. ± 5°	DATE 5-1-06	DRAWING NUMBER SK7296	REV. A
<b>GMCT/PCS SERIES</b>		<b>MS116N/AA</b>		
SCALE N.T.S.		DRAWN BY YK		
APPROVED BY T KEPLER		FSC# 28198		