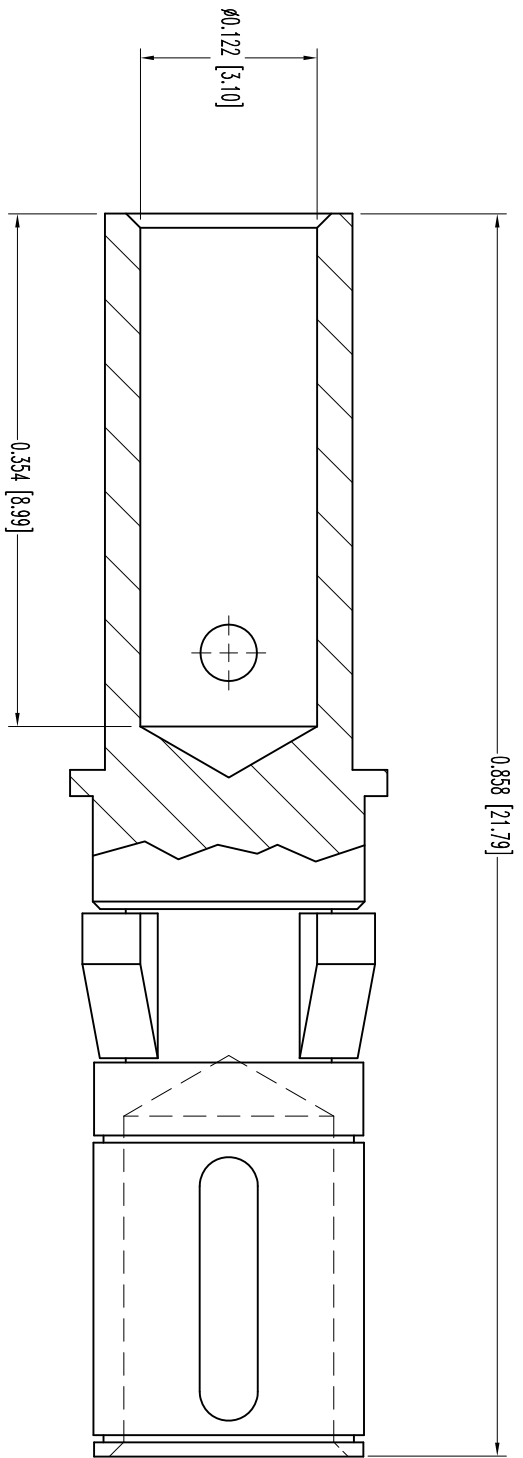


THIS DRAWING CONTAINS INFORMATION PROPRIETARY TO POSITRONIC INDUSTRIES INC. THE DATA ON THIS DRAWING TO BE RELEASED SINCE THE TECHNICAL INFORMATION IS GIVEN FREE OF CHARGE. THE USER EMPLOYER'S SUCH INFORMATION AT HIS OWN DISCRETION. RESULTS OBTAINED OR DAMAGES INCURRED FROM USE OF SUCH INFORMATION IN WHOLE OR IN PART.



**NOTES:**

1. MATERIAL AND FINISH:  
CONTACT: PRECISION MACHINED COPPER ALLOY, GOLD FLASH OVER NICKEL.  
SPRING CLIP: BERYLLIUM COPPER, GOLD FLASH OVER NICKEL PLATE.  
RETENTION RING: BERYLLIUM COPPER, NICKEL PLATE.  
IN THE LATEST STANDARD DENSITY COMBO-D PRODUCT PUBLICATION.
2. DETAILED PRODUCT, ELECTRICAL, AND MECHANICAL INFORMATION IS AVAILABLE IN THE LATEST STANDARD DENSITY COMBO-D PRODUCT PUBLICATION.  
VISIT [CONNECTPOSITRONIC.COM/PRODUCTS/1/STANDARDENSITYCOMBO-D](http://CONNECTPOSITRONIC.COM/PRODUCTS/1/STANDARDENSITYCOMBO-D) OR [CONNECTPOSITRONIC.COM](http://CONNECTPOSITRONIC.COM).
3. CONTACTS ARE ROHS COMPLIANT PER ROHS DIRECTIVE 2002/95/EC OF 27 JAN 2003.
4. DIMENSIONS ARE IN INCHES [MILLIMETERS].

DATE	REV	REVISION RECORD	APP	DR	OK
1-25-06	NC	ECO 25401	RW	YK	COLM
3-25-10	A	ECO 32285	COLM	BE	SY
11-9	B	ECO 34713	COLM	BE	COLM

SK6991



**POSITRONIC INDUSTRIES INC.**  
www.connectpositronic.com  
FSCM 28198

DECIMAL TOL. ± 0.015 [0.38]	ANGULAR TOL. ± 5°	CBD SERIES	SCALE N.T.S.	DRAWN BY YK	DATE 1-25-06	DRAWING NUMBER SK6991	REV. B
TITLE FC4010D/AA		APPROVED BY RW					