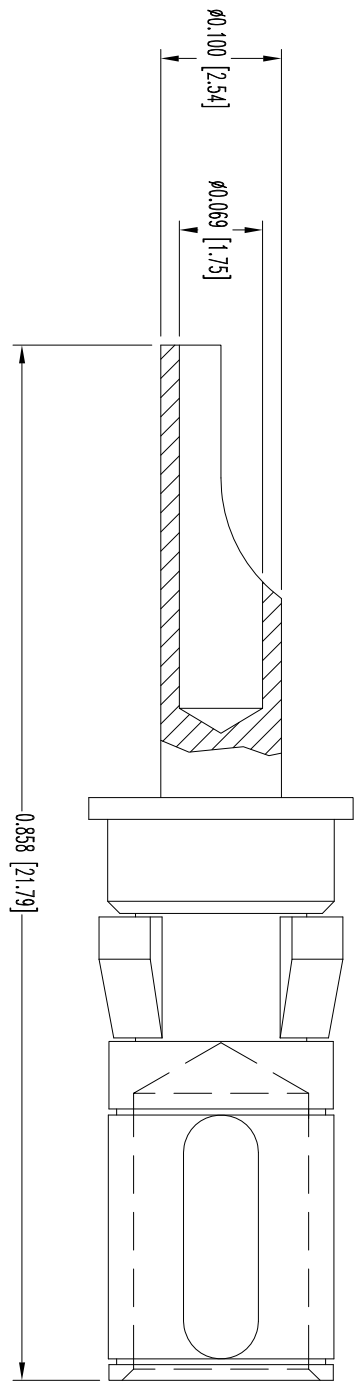


THIS DRAWING CONTAINS INFORMATION PROPRIETARY TO POSITRONIC INDUSTRIES INC. AND IS TO BE USED ONLY FOR THE PURPOSES INTENDED. THE USER EMPLOYER'S TECHNICAL INFORMATION IS GIVEN FREE OF CHARGE; THE USER EMPLOYER'S SUCH INFORMATION AT HIS OWN DISCRETION. POSITRONIC INDUSTRIES INC. ASSUMES NO LIABILITY FOR RESULTS OBTAINED OR DAMAGES INCURRED FROM USE OF SUCH INFORMATION IN WHOLE OR IN PART.

SK6946

DATE	REV	REVISION RECORD	APP	DR	OK
1-12-06	NC	ECO 25339	RW	YK	TK
3-26-10	A	ECO 32294	COLB	BE	SV



NOTES:

1. MATERIAL AND FINISH:  
CONTACT: HIGH CONDUCTIVITY COPPER ALLOY, GOLD FLASH OVER NICKEL.  
SPRING CLIP: BERYLLIUM COPPER, GOLD OVER NICKEL PLATE.  
RETENTION RING: BERYLLIUM COPPER, NICKEL PLATE.
2. DETAILED PRODUCT, ELECTRICAL, AND MECHANICAL INFORMATION IS AVAILABLE IN THE LATEST STANDARD DENSITY COMBO-D PRODUCT PUBLICATION.  
VISIT [CONNECTPOSITRONIC.COM/PRODUCTS/1/STANDARDENSITYCOMBO-D](http://CONNECTPOSITRONIC.COM/PRODUCTS/1/STANDARDENSITYCOMBO-D) OR [CONNECTPOSITRONIC.COM](http://CONNECTPOSITRONIC.COM).
3. CONTACTS ARE ROHS COMPLIANT PER ROHS DIRECTIVE 2002/95/EC OF 27 JAN 2003.
4. DIMENSIONS ARE IN INCHES [MILLIMETERS].



**POSITRONIC INDUSTRIES INC.**  
www.connectpositronic.com  
FSCM 28198

DECIMAL TOL. ± 0.015 [0.38]	ANGULAR TOL. ± 5°	CBD SERIES	SCALE N.T.S.	DRAWN BY YK	DATE 1-12-06	DRAWING NUMBER SK6946	REV. A
TITLE FS4016D/AA		APPROVED BY RW					