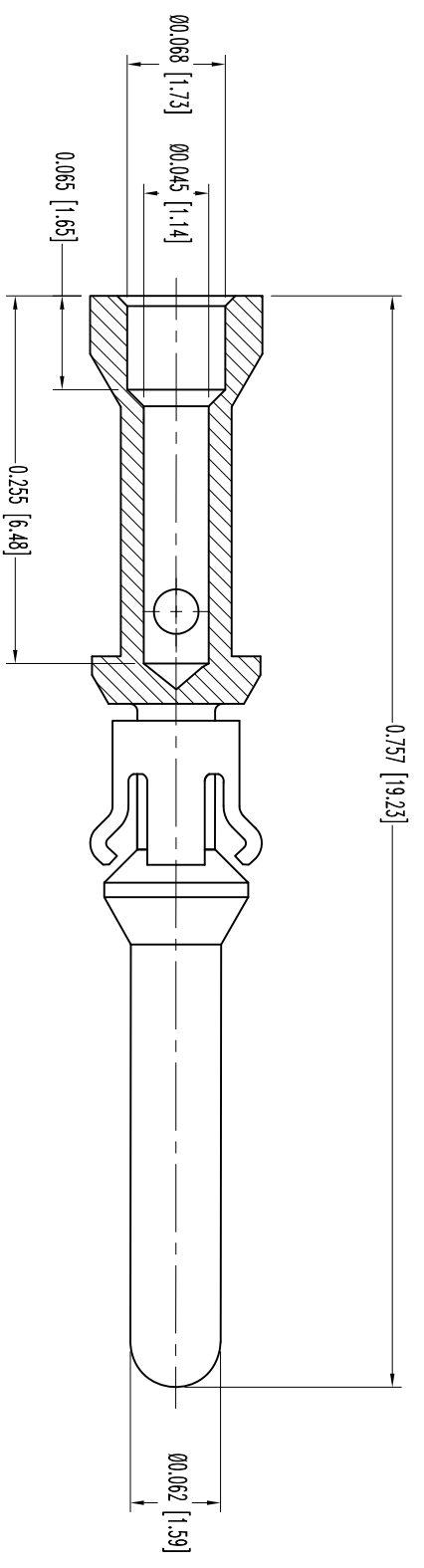


THIS DRAWING CONTAINS INFORMATION PROPRIETARY TO CONNECTROTECH AND IS SUBJECT TO THE TERMS AND CONDITIONS OF THE LICENSE AGREEMENT TO BE FOUND IN THE USER MANUAL. THE USER BURN-OVS SUCH INFORMATION AT HIS OWN DISCRETION. RESULTS OBTAINED OR DAMAGES INCURRED FROM USE OF SUCH INFORMATION IN WHOLE OR IN PART.




NOTES:

1. MATERIALS AND FINISHES:
CONTACTS: PRECISION MACHINED COPPER ALLOY, GOLD FLASH OVER NICKEL PLATE.
SPRING CLIP: BERYLLIUM COPPER, GOLD FLASH OVER NICKEL PLATE.
2. DETAILED PRODUCT, MECHANICAL, AND ELECTRICAL INFORMATION IS AVAILABLE IN THE LATEST PCS PRODUCT PUBLICATION. VISIT CONNECTROTECH.COM/PRODUCTS/20/POWERCONNECTIONSYSTEMS OR CONNECTROTECH.COM.
3. CONTACTS ARE ROHS COMPLIANT PER ROHS DIRECTIVE 2002/95/EC OF 27 JAN 2003.
4. DIMENSIONS ARE IN INCHES [MILLIMETERS].

SK6887

DATE	REV	REVISION RECORD	APP	DR	OK
12-28-05	NC	ECO 25257	TK	YK	TK
10-21-11	A	ECO 34622	COLB	BS	COLB

 POSITRONIC INDUSTRIES INC. www.connectpositronic.com		FSCM 28198	
DECIMAL TOL. ± 0.015 [0.38]		SCALE N.T.S.	
ANGULAR TOL. ± 5°		DRAWN BY YK	
DATE 12-28-05		APPROVED BY T KEPLEY	
PCS SERIES MC120N/AA		FSCM 28198	
DRAWING NUMBER SK6887		REV. A	