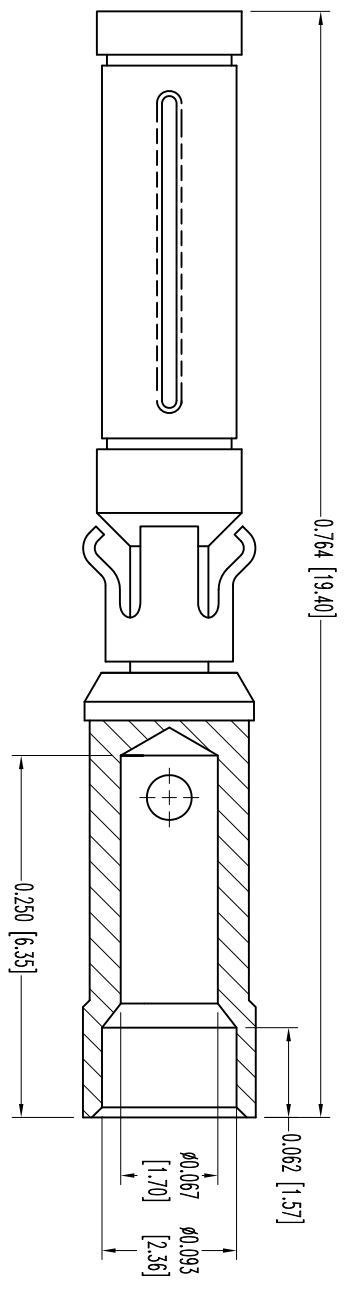



THIS DRAWING CONTAINS INFORMATION PROPRIETARY TO CONNECTPOSTRONIC AND IS SUBJECT TO THE TERMS AND CONDITIONS OF THE LICENSE AGREEMENT. THE USER EMPLOYER'S SUCH INFORMATION AT HIS OWN DISCRETION. RESULTS OBTAINED OR DAMAGES INCURRED FROM USE OF SUCH INFORMATION IN WHOLE OR IN PART.



- NOTES:
1. MATERIALS AND FINISHES:
 CONTACT: COPPER ALLOY, GOLD FLASH OVER NICKEL PLATE.
 SPRING CLIP: BERYLLIUM COPPER, GOLD FLASH OVER NICKEL PLATE.
 RETAINER: BERYLLIUM COPPER, GOLD FLASH OVER NICKEL PLATE.
 2. DETAILED PRODUCT, MECHANICAL, AND ELECTRICAL INFORMATION IS AVAILABLE IN THE LATEST STANDARD DENSITY RECTANGULAR PRODUCT PUBLICATION. VISIT CONNECTPOSTRONIC.COM/PRODUCTS/53/STANDARDENSITYRECTANGULAR OR CONNECTPOSTRONIC.COM.
 3. CONTACTS ARE ROHS COMPLIANT PER ROHS DIRECTIVE 2002/95/EC OF 27 JAN 2003.
 4. DIMENSIONS ARE IN INCHES [MILLIMETERS].

SK6658

DATE	REV	REVISION RECORD	APP	DR	OK
10-19-05	NC	ECO 24887	RW	MR	COLB
2-23-12	A	ECO 35260	COLB	MP	COLB

 <p>POSITRONIC INDUSTRIES INC. www.connectpositronic.com</p>		SCALE		DRAWN BY	
		N.T.S.		M. ENEA	
DATE		DRAWING NUMBER		REV.	
10-19-05		SK6658		A	
TITLE		GMCPT SERIES		APPROVED BY	
FC116N2/AA		R. WILLIAMS		FSCM 28198	
ANGULAR TOL.		DECIMAL TOL.			
± 5°		± 0.015 [0.38]			