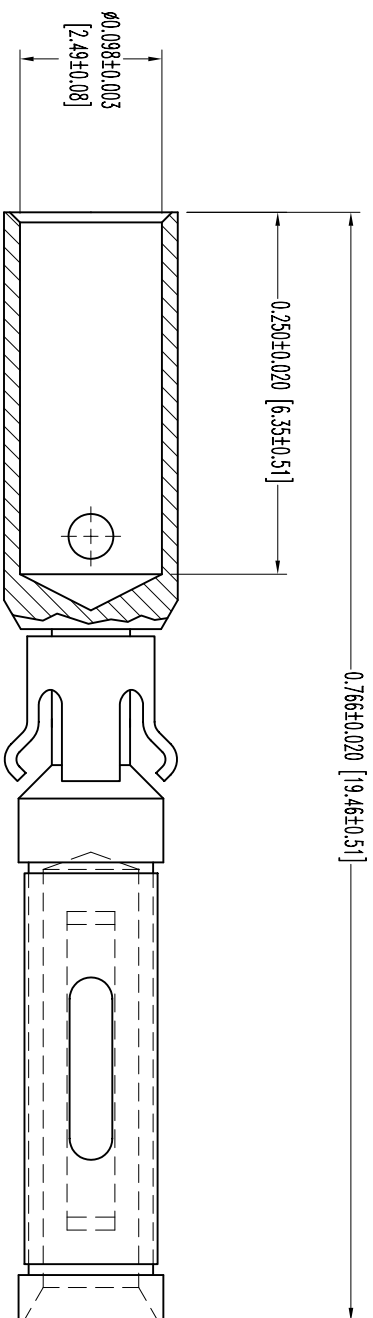


POSITRONIC INDUSTRIES RELEASES THE DATA ON THIS DRAWING TO BE REUSED SINCE THE TECHNICAL INFORMATION IS GIVEN FREE OF CHARGE. THE USER EMPLOYS SUCH INFORMATION AT HIS OWN DISCRETION AND POSITRONIC INDUSTRIES ASSUMES NO LIABILITY OR RESPONSIBILITY FOR RESULTS OBTAINED OR DAMAGES INCURRED FROM USE OF SUCH INFORMATION IN WHOLE OR IN PART.



- NOTES:
1. MATERIALS AND FINISHES:  
CONTACT: BRASS, GOLD FLASH OVER NICKEL PLATE.  
SPRING CLIP: BERYLLIUM COPPER, GOLD FLASH OVER NICKEL PLATE.  
RETAINER: BERYLLIUM COPPER, GOLD FLASH OVER NICKEL PLATE.
  2. CONTACTS ARE ROHS COMPLIANT PER ROHS DIRECTIVE 2002/95/EC OF 27 JAN 2003.
  3. DIMENSIONS ARE IN INCHES [MILLIMETERS].

DATE	REV	REVISION RECORD	APP	DR	CK
9-9-05	NC	ECO 24613		YK	

SK6553



**POSITRONIC INDUSTRIES INC.**  
www.connectpositronic.com

DECIMAL TOL.	± 0.015 [0.38]	ANGULAR TOL.	± 5°
TITLE	PCS SERIES	SCALE	N.T.S.
DATE	9-9-05	DRAWN BY	YK
DRAWING NUMBER	FC112N2/AA	APPROVED BY	
REV.	NC		