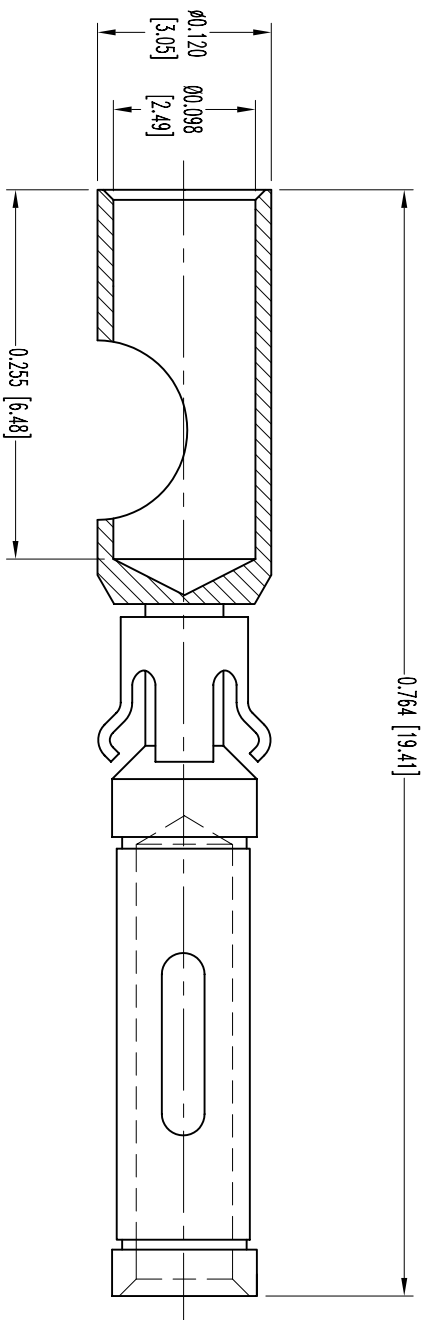





POSITRONIC INDUSTRIES RELEASES THE DATA ON THIS DRAWING TO BE REUSE SINCE THE TECHNICAL INFORMATION IS GIVEN FREE OF CHARGE. THE USER EMPLOYS SUCH INFORMATION AT HIS OWN DISCRETION AND POSITRONIC INDUSTRIES ASSUMES NO LIABILITY OR RESPONSIBILITY FOR RESULTS OBTAINED OR DAMAGES INCURRED FROM USE OF SUCH INFORMATION IN WHOLE OR IN PART.



- NOTES:
1. MATERIAL AND FINISHES:
CONTACT: BRASS, GOLD FLASH OVER NICKEL PLATE.
SPRING CLIP: BERYLLIUM COPPER, GOLD FLASH OVER NICKEL PLATE.
RETAINER: BERYLLIUM COPPER, GOLD FLASH OVER NICKEL PLATE.
 2. ELECTRICAL CHARACTERISTICS:
INITIAL CONTACT RESISTANCE: 0.003 OHMS.
 3. WORKING TEMPERATURE: -65°C TO 150°C.
 4. CONTACTS ARE ROHS COMPLIANT PER ROHS DIRECTIVE 2002/95/EC OF 27 JAN 2003.
 5. DIMENSIONS ARE IN INCHES [MILLIMETERS].

| DATE | REV | REVISION RECORD | APP | DR | CK |
|--------|-----|-----------------|-----|----|----|
| 9-8-05 | NC | ECO 24611 | | YK | |
| | | | | | |
| | | | | | |
| | | | | | |

SK6551

| | | | |
|---|---|---|-------------------------------|
|  | | POSITRONIC INDUSTRIES INC. www.connectpositronic.com | |
|  DECIMAL TOL. ± 0.015 [0.38] |  ANGULAR TOL. ± 5° | PCS SERIES SCALE N.T.S. | DRAWN BY APPROVED BY YK |
| TITLE FS112N2/AA | | DATE 9-8-05 | DRAWING NUMBER SK6551 |
| | | REV. NC | |