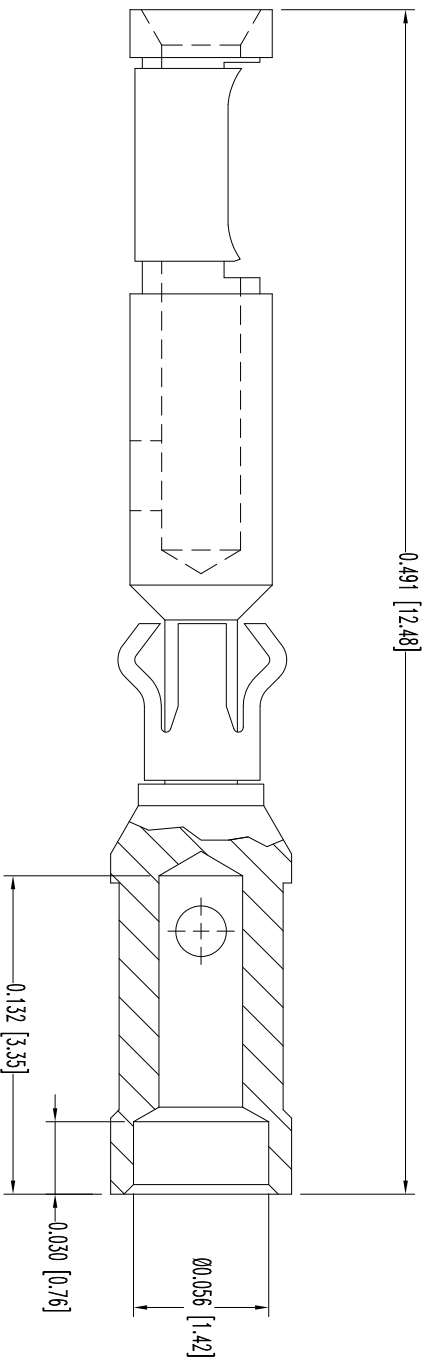


THIS DRAWING CONTAINS INFORMATION PROPRIETARY TO POSITRONIC AND ITS SUBSIDIARIES. POSITRONIC BELIEVES THE DATA ON THIS DRAWING TO BE RELIABLE. SINCE THE DRAWING IS FOR INFORMATIONAL PURPOSES ONLY, POSITRONIC TECHNICAL INFORMATION IS GIVEN FREE OF CHARGE. THE INFORMATION IS NOT TO BE USED FOR ANY PURPOSES OF DESIGN AND RISK. POSITRONIC ASSUMES NO RESPONSIBILITY FOR RESULTS OBTAINED OR DAMAGES INCURRED FROM USE OF SUCH INFORMATION IN WHOLE OR IN PART.



- NOTES:
1. MATERIALS AND FINISHES:
CONTACT: PRECISION MACHINED COPPER ALLOY, GOLD FLASH OVER NICKEL PLATE.
RETAINING RING AND CLIP: BERYLLIUM COPPER, GOLD FLASH OVER NICKEL PLATE.
 2. DETAILED PRODUCT, MECHANICAL, AND ELECTRICAL INFORMATION IS AVAILABLE IN THE LATEST COMPACT POWER PRODUCT PUBLICATION. VISIT CONNECTPOSITRONIC.COM/PRODUCTS/35/COMPACTPOWERCONNECTORS OR CONNECTPOSITRONIC.COM.
 3. CONTACTS ARE COMPLIANT TO THE CURRENT ROHS DIRECTIVE.
 4. DIMENSIONS ARE IN INCHES [MILLIMETERS].

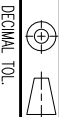
DATE	REV	REVISION RECORD	APP	DR	CK
7-01	NC	ECO 34217	COLF	BS	COLF
6-5	A	ECO 39697	COLF	BE	COLF
13					

SK12444



POSITRONIC INDUSTRIES INC.
www.connectpositronic.com

FSCM 28198



DECIMAL TOL.
± 0.015 [0.38]

PCI SERIES

SCALE
N.T.S.

DRAWN BY
B SHELLBOY

APPROVED BY
COLF

TITLE

FC422N8/AA

ANGULAR TOL.
± 5°

DATE
7-01-11

DRAWING NUMBER
SK12444

REV.
A