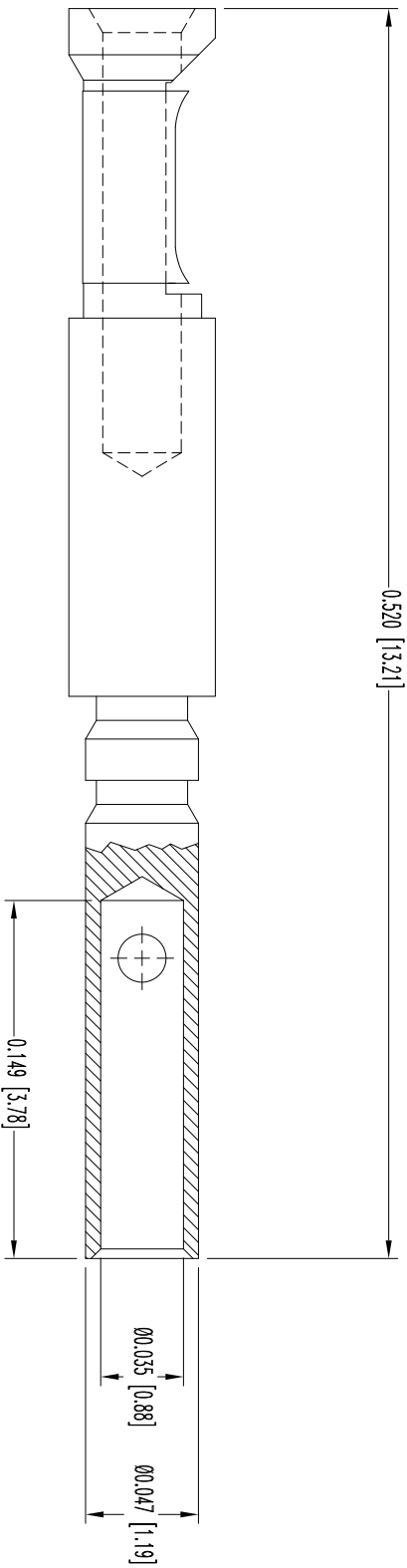


THIS DRAWING CONTAINS INFORMATION PROPRIETARY TO POSITRONIC AND IS SUBJECT TO THE PROTECTIVE ORDER. THE USER EMPLOYS SUCH INFORMATION AT HIS OWN DISCRETION AND ASSUMES ALL LIABILITY FOR ANY DAMAGES INCURRED FROM USE OF SUCH INFORMATION IN WHOLE OR IN PART.

SK11220

| DATE | REV | REVISION RECORD | APP | DR | CK |
|-------|-----|-----------------|------|----|------|
| 12-09 | NC | ECO 31831 | TK | BS | TK |
| 2-17 | A | ECO 32121 | COLB | BS | COLB |
| 1-9 | B | ECO 38115 | COLB | BE | COLB |



NOTES:

1. MATERIALS AND FINISHES:
CONTACT: PRECISION MACHINED COPPER ALLOY, GOLD FLASH OVER NICKEL PLATE.
RETAINER: BERYLLIUM COPPER, GOLD FLASH OVER NICKEL PLATE.
2. DETAILED PRODUCT, MECHANICAL, AND ELECTRICAL INFORMATION IS AVAILABLE IN THE LATEST HIGH DENSITY D-SUB PRODUCT PUBLICATION. VISIT CONNECTPOSITRONIC.COM/PRODUCTS/59/HIGHDENSITYD-SUBMINIATURE OR CONNECTPOSITRONIC.COM.
3. CONTACTS ARE COMPLIANT TO THE CURRENT ROHS DIRECTIVE.
4. DIMENSIONS ARE INCHES [MILLIMETERS].



POSITRONIC INDUSTRIES INC.
www.connectpositronic.com

FSCM 28198

| | | | |
|--------------|----------------|----------------|-------------|
| DECIMAL TOL. | ± 0.015 [0.38] | ANGULAR TOL. | ± 9° |
| TITLE | DD SERIES | SCALE | N.T.S. |
| DATE | 12-09-09 | DRAWING NUMBER | SK11220 |
| FC8022D2/AA | | DRAWN BY | B SHELLARDY |
| | | APPROVED BY | T KEPLER |
| REV. | | | B |