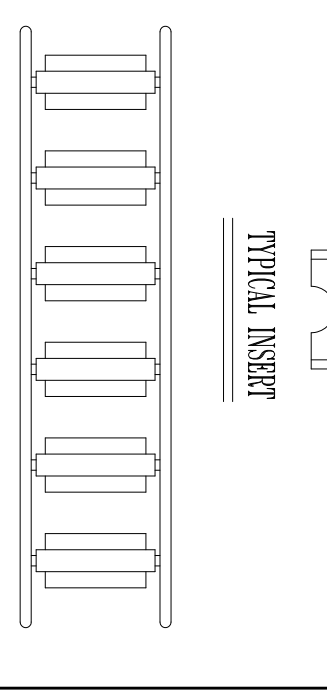
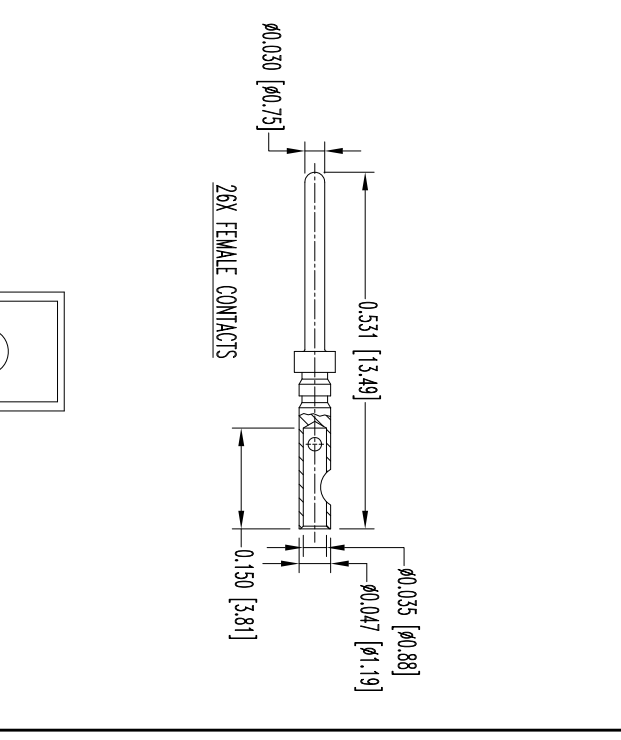
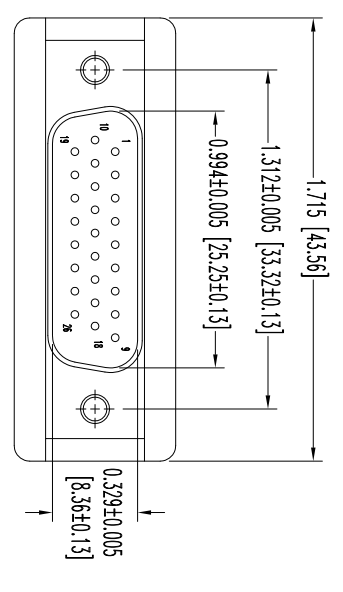
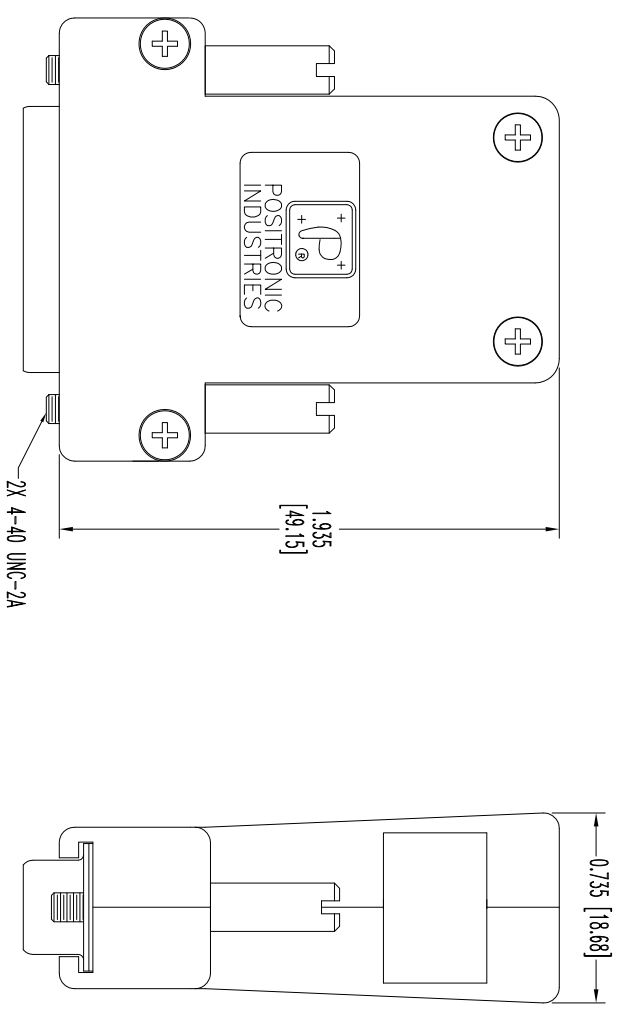


THIS DRAWING CONTAINS INFORMATION PROPRIETARY TO POSITRONIC AND IS UNLAWFUL TO REPRODUCE WITHOUT THE WRITTEN PERMISSION OF POSITRONIC INDUSTRIES INC. THE USER EMPLOYER'S SUCH INFORMATION IS GIVEN FREE OF CHARGE. THE RESULTS OBTAINED OR ASSUMES INCURRED FROM USE OF SUCH INFORMATION IN WHOLE OR IN PART.




INSERT TREE ASSEMBLY

NOTES:

1. MATERIALS AND FINISHES:
INSULATOR: GLASS FILLED POLYESTER PER ASTM-D5927, UL 94V-0, COLOR: BLUE.
SHELLS: STEEL, ZINC PLATE WITH CHROMATE SEAL.
HOOD AND INSERT: CONDUCTIVE COMPOSITE.
JACKSCREWS: STEEL, ZINC PLATE WITH CHROMATE SEAL.
2. DETAILED PRODUCT, MECHANICAL, AND ELECTRICAL INFORMATION IS AVAILABLE IN THE LATEST STANDARD DENSITY D-SUB PRODUCT PUBLICATION. VISIT CONNECTPOSITRONIC.COM/PRODUCTS/1/STANDARDENSITYCOMBO-D OR CONNECTPOSITRONIC.COM.
3. CONNECTORS ARE ROHS COMPLIANT PER CURRENT ROHS DIRECTIVE.
4. DIMENSIONS ARE IN INCHES [MILLIMETERS].

DATE	REV	REVISION/RECORD	APP	DR	CK
11-27-12	NC	ECO 37849	COLB	BS	COLB



POSITRONIC INDUSTRIES INC.
www.connectpositronic.com

DECIMAL TOL. ± 0.015 [0.38]	SCALE N.T.S.	DRAWN BY B SHELLADY	FSCM 28198
ANGULAR TOL. ± 5°	DD SERIES	APPROVED BY COLB	
DATE 11-27-12	TITLE DD26M20Z00/AA	DRAWING NUMBER SK14653	REV. NC

SK14653