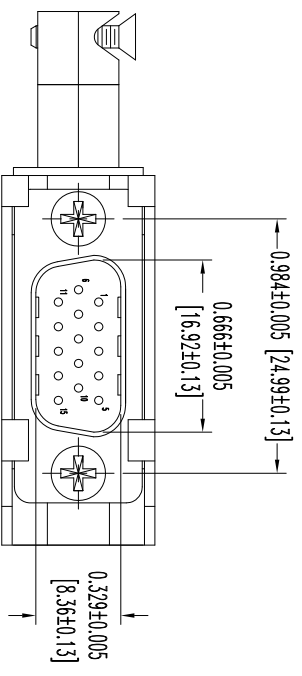
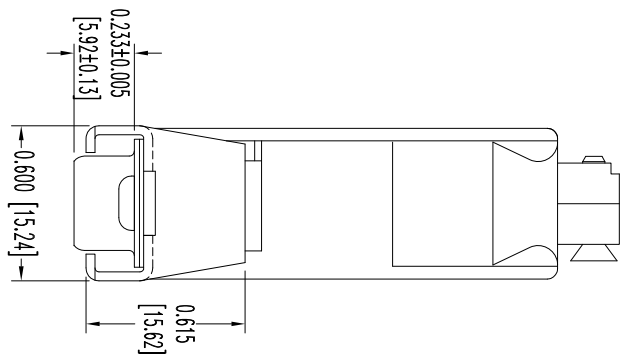
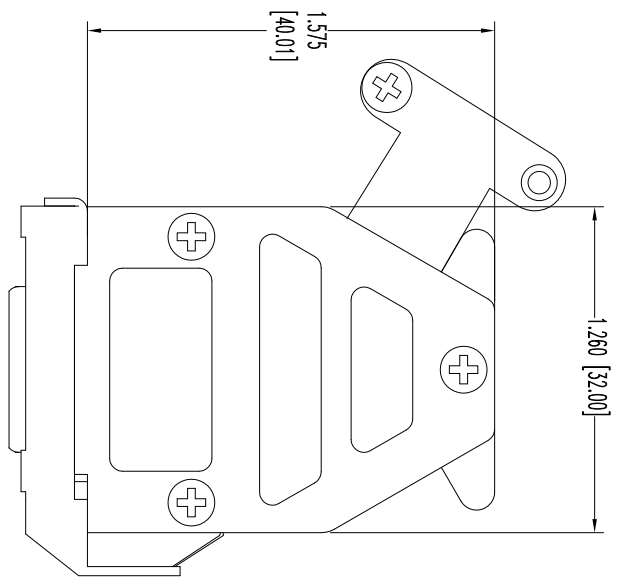


THIS DRAWING CONTAINS INFORMATION PROPRIETARY TO POSITRONIC INDUSTRIES INC. THE DATA ON THIS DRAWING TO BE RELIABLE SINCE THE USER EMPLOY'S SUCH INFORMATION AT HIS OWN DISCRETION. RESULTS OBTAINED OR DAMAGES INCURRED FROM USE OF SUCH INFORMATION IN WHOLE OR IN PART.


SK14528

DATE	REV	REVISION RECORD	APP	DR	CK
10-24	NC	ECO 37465	COLB	BS	COLB



NOTES:

1. MATERIALS AND FINISHES:
 INSULATOR: GLASS FILLED POLYESTER PER ASTM-D5927, UL 94V-0, COLOR: BLUE.
 SHELLS: DIMPLED STEEL WITH TIN PLATE.
 HOOD AND CABLE CLAMPS: DIE CAST ZINC.
 LOCK LEVER: STEEL WITH NICKEL PLATE.
 CABLE CLAMP AND COVER SCREWS: STEEL WITH NICKEL PLATE.
 MOUNTING SCREWS: STEEL, ZINC PLATE WITH CHROMATE SEAL.
2. DETAILED PRODUCT, MECHANICAL, AND ELECTRICAL INFORMATION IS AVAILABLE IN THE LATEST HIGH DENSITY D-SUB PRODUCT PUBLICATION. VISIT CONNECTPOSITRONIC.COM/PRODUCTS/59/HIGHDENSITY-D-SUBMINIATURE OR CONNECTPOSITRONIC.COM.
3. DIMENSIONS ARE IN INCHES [MILLIMETERS].

		POSITRONIC INDUSTRIES INC. www.connectpositronic.com		FSCM 28198	
		DD SERIES	SCALE N.T.S.	DRAWN BY B SHELLBY	APPROVED BY COLB
DECIMAL TOL. ± 0.015 [0.38]	TITLE DD15M00GV1Z	DATE 10-24-12	DRAWING NUMBER SK14528	REV. NC	
ANGULAR TOL. $\pm 5^\circ$					