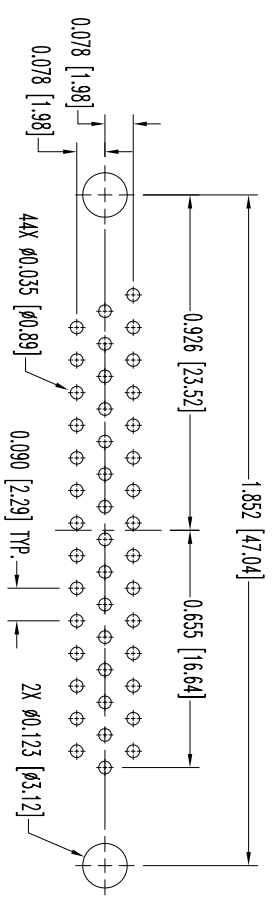
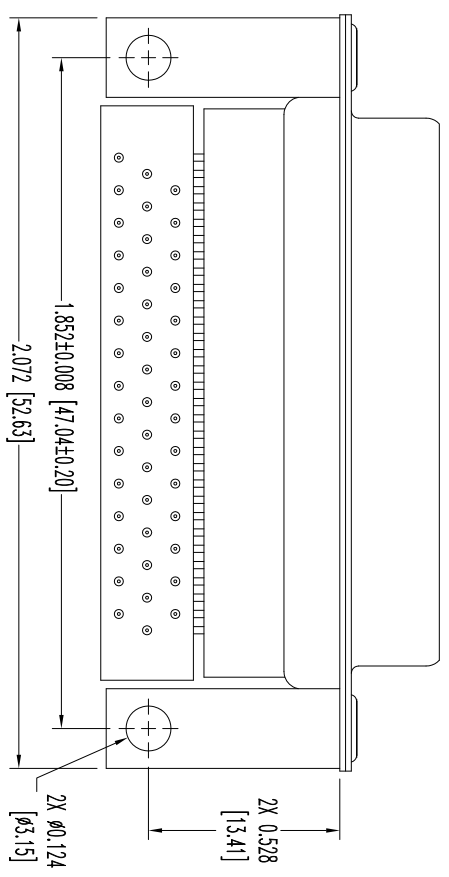
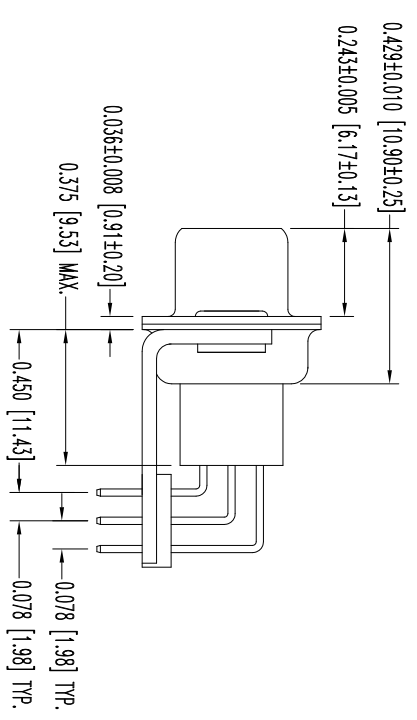
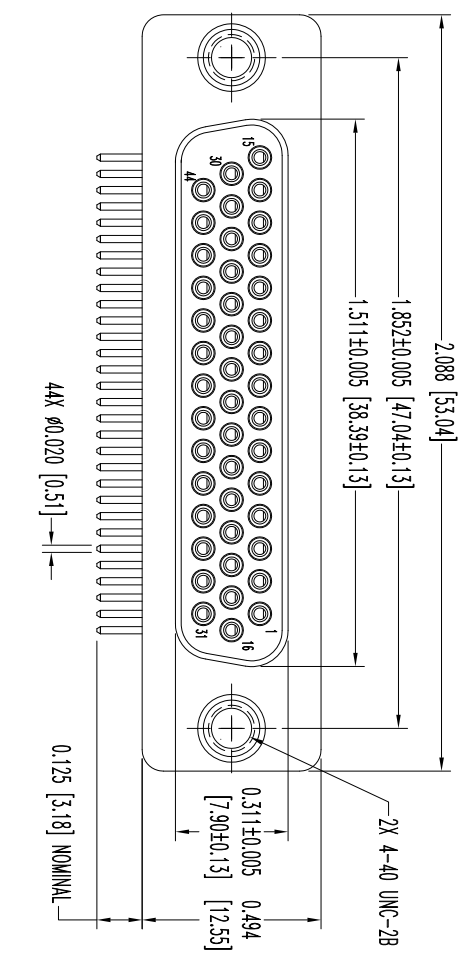


THIS DRAWING CONTAINS INFORMATION PROPRIETARY TO POSITRONIC INDUSTRIES INC. THE DATA ON THIS DRAWING TO BE RELIABLE SINCE THE USER EMPLOY'S SUCH INFORMATION AT HIS OWN DISCRETION. POSITRONIC INDUSTRIES INC. ASSUMES NO LIABILITY FOR RESULTS OBTAINED OR DAMAGES INCURRED FROM USE OF SUCH INFORMATION IN WHOLE OR IN PART.

SK12856

DATE	REV	REVISION RECORD	APP	DR	CK
10-28	11	NC	ECO	34643	COLB
	7-15	A	ECO	39837	COLB
	13				BE
					COLB



CONTACT HOLE PATTERN

NOTES:

1. MATERIALS AND FINISHES:  
INSULATOR: GLASS FILLED POLYESTER PER ASTM D5927, UL 94V-0, BLUE COLOR.  
CONTACTS: PRECISION MACHINED COPPER ALLOY, GOLD FLASH OVER NICKEL FINISH.  
SHELLS: STEEL, ZINC PLATE WITH CHROMATE SEAL.  
ALIGNMENT BAR: GLASS FILLED POLYESTER, COLOR BLACK.  
MOUNTING BRACKETS: BRASS, ZINC PLATE WITH CHROMATE SEAL.  
THREADED RIVET: STEEL, ZINC PLATE WITH CHROMATE SEAL.
2. DETAILED PRODUCT, ELECTRICAL, AND MECHANICAL INFORMATION IS AVAILABLE IN THE LATEST HIGH DENSITY D-SUB PRODUCT PUBLICATION. VISIT [CONNECTPOSITRONIC.COM/PRODUCTS/59/HIGHDENSITYD-SUBMINIATURE](http://CONNECTPOSITRONIC.COM/PRODUCTS/59/HIGHDENSITYD-SUBMINIATURE) OR [CONNECTPOSITRONIC.COM](http://CONNECTPOSITRONIC.COM).
3. CONNECTORS ARE COMPLIANT TO THE CURRENT ROHS DIRECTIVE.
4. DIMENSIONS ARE IN INCHES [MILLIMETERS].



**POSITRONIC INDUSTRIES INC.**  
www.connectpositronic.com

DECIMAL TOL.	± 0.015 [0.38]	SCALE	N.T.S.	DRAWN BY	L. OWENS	FSC#	28198
ANGULAR TOL.	± 5°	TITLE	DD SERIES	APPROVED BY	COLB		

DATE	10-28-11	DRAWING NUMBER	DD44SAR7000/AA	REV.	A
------	----------	----------------	----------------	------	---