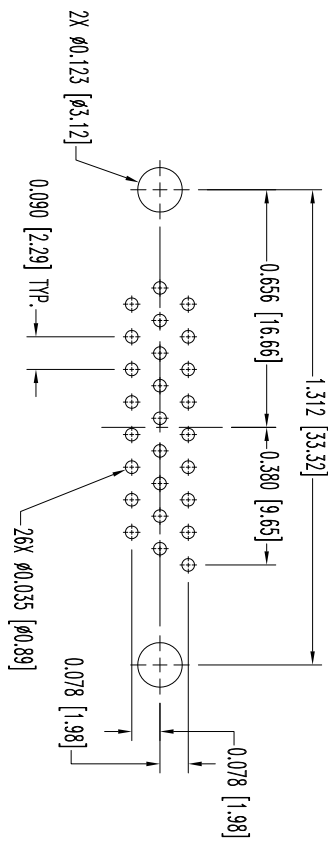
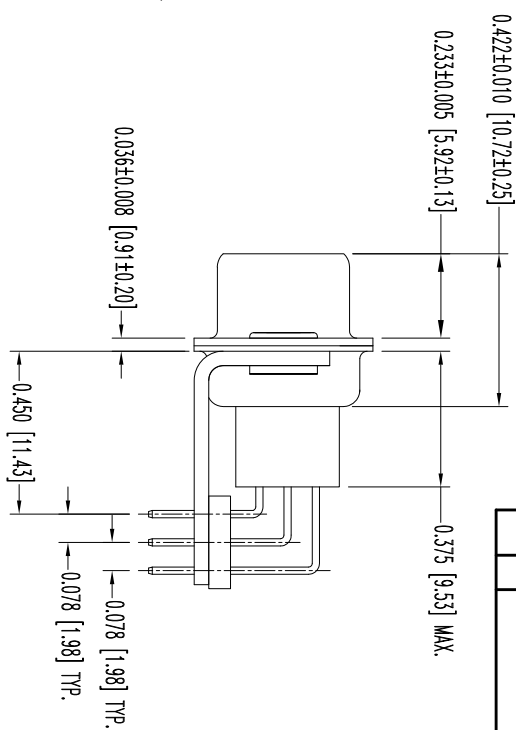
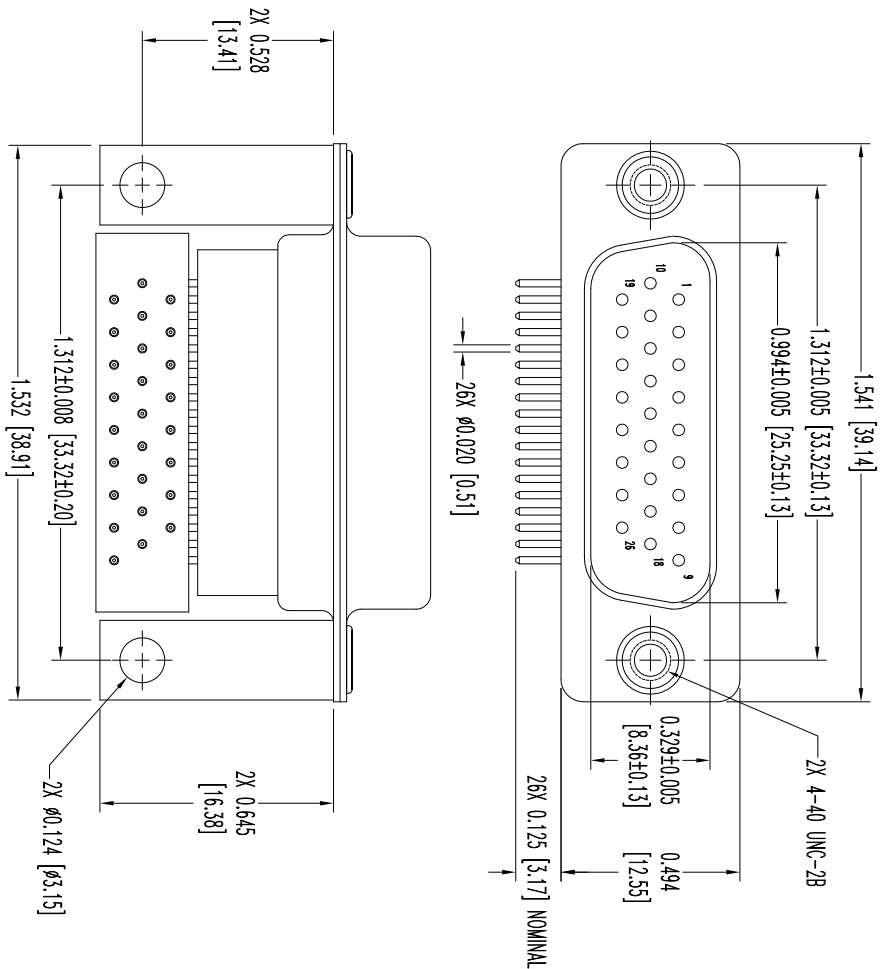


THIS DRAWING CONTAINS INFORMATION PROPRIETARY TO POSITRONIC AND ITS SUBSIDIARIES. POSITRONIC BELIEVES THE DATA ON THIS DRAWING TO BE RELIABLE, SINCE THE TECHNICAL INSPECTION HAS BEEN MADE BY POSITRONIC. POSITRONIC ASSUMES NO RESPONSIBILITY FOR THE RESULTS OBTAINED OR DAMAGES INCURRED FROM USE OF SUCH INFORMATION IN WHOLE OR IN PART.




CONTACT HOLE PATTERN

- NOTES:
1. MATERIALS AND FINISHES:  
INSULATOR: GLASS FILLED PESTER PER ASTM D5927, UL 94V-0, BLUE COLOR.  
CONTACTS: PRECISION MACHINED COPPER ALLOY, GOLD FLASH OVER NICKEL PLATE.  
SHELS: STEEL, ZINC PLATE WITH CHROMATE SEAL.  
ALIGNMENT BAR: GLASS FILLED PESTER, COLOR BLACK.  
MOUNTING BRACKETS: BRASS, ZINC PLATE WITH CHROMATE SEAL.  
THREADED RIVET: STEEL, ZINC PLATE WITH CHROMATE SEAL.
  2. DETAILED PRODUCT, ELECTRICAL, AND MECHANICAL INFORMATION IS AVAILABLE IN THE LATEST HIGH DENSITY D-SUBMINIATURE PRODUCT PUBLICATION. VISIT [CONNECTPOSITRONIC.COM/PRODUCTS/59/HIGHDENSITY-D-SUBMINIATURE](http://CONNECTPOSITRONIC.COM/PRODUCTS/59/HIGHDENSITY-D-SUBMINIATURE) OR [CONNECTPOSITRONIC.COM](http://CONNECTPOSITRONIC.COM).
  3. CONNECTORS ARE COMPLIANT TO THE CURRENT ROHS DIRECTIVE.
  4. DIMENSIONS ARE IN INCHES [MILLIMETERS].

DATE	REV	REVISION RECORD	APP	DR	CK
10-27-11	NC	ECO 34641	COLF	LD	COLF
6-17-13	A	ECO 39827	TK	BE	TK

SK12840



**POSITRONIC INDUSTRIES INC.**  
www.connectpositronic.com

DECIMAL TOL.	SCALE	DRAWN BY	FSCM 28198
± 0.015 [0.38]	N.T.S.	L. OMENS	
ANGULAR TOL.		APPROVED BY	
± 5°		COLF	
DATE	DRAWING NUMBER		
10-27-11	DD26MAR7000/AA		
	SK12840	REV.	
		A	