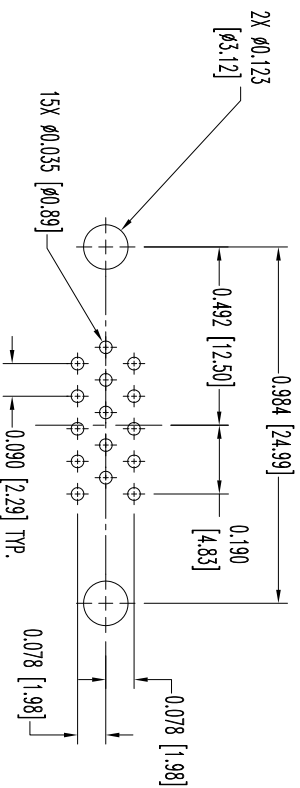
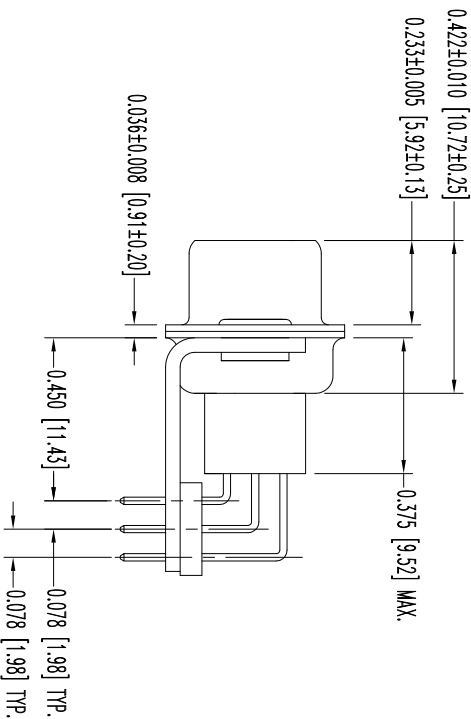
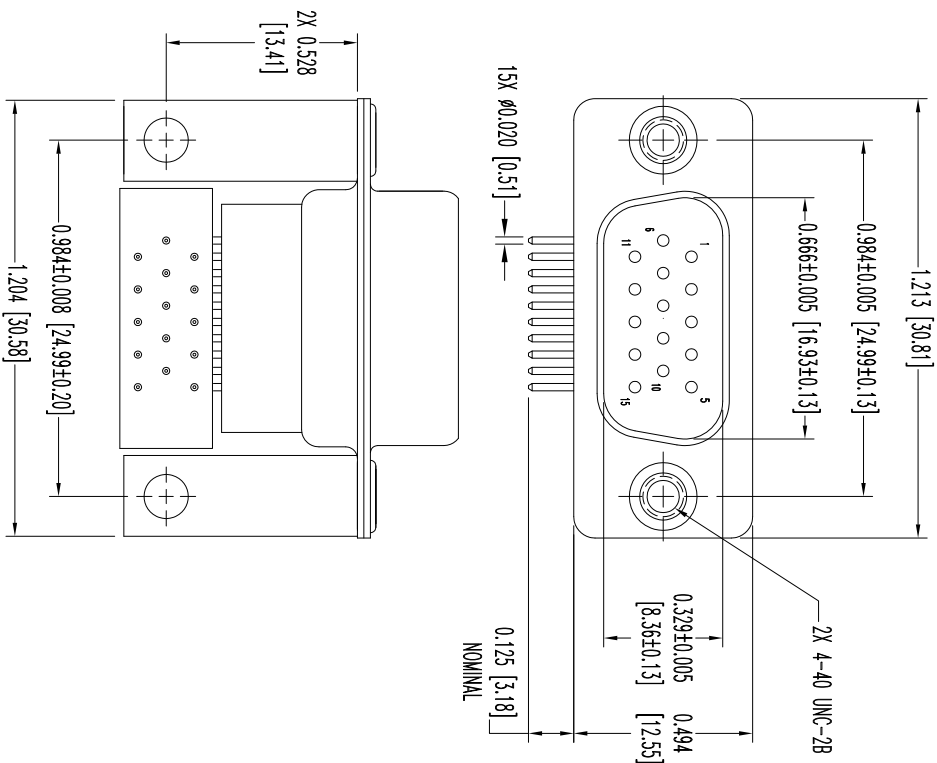


THIS DRAWING CONTAINS INFORMATION PROPRIETARY TO POSITRONIC AND ITS SUBSIDIARIES. POSITRONIC BELIEVES THE DATA ON THIS DRAWING TO BE RELIABLE, SINCE THE REASONABLE MANUFACTURING TOLERANCES WERE OBSERVED AND THE USER HAS BEEN ADVISED OF THE NECESSITY OF OBTAINING RESULTS OBTAINED OR DAMAGES INCURRED FROM USE OF SUCH INFORMATION IN WHOLE OR IN PART.



**CONTACT HOLE PATTERN**

- NOTES:
1. MATERIALS AND FINISHES:  
INSULATOR: GLASS FILLED POLYESTER PER ASTM D5927, UL 94V-0, BLUE COLOR.  
CONTACTS: PRECISION MACHINED COPPER ALLOY, GOLD FLASH OVER NICKEL PLATE.  
SHEETS: STEEL, ZINC PLATE WITH CHROMATE SEAL.  
ALIGNMENT BAR: GLASS FILLED POLYESTER, COLOR BLACK.  
MOUNTING BRACKETS: BRASS, ZINC PLATE WITH CHROMATE SEAL.  
THREADED RIVET: STEEL, ZINC PLATE WITH CHROMATE SEAL.
  2. DETAILED PRODUCT, ELECTRICAL, AND MECHANICAL INFORMATION IS AVAILABLE IN THE LATEST HIGH DENSITY D-SUBMINIATURE PRODUCT PUBLICATION. VISIT [CONNECTPOSITRONIC.COM/PRODUCTS/59/HIGHDENSITYD-SUBMINIATURE](http://CONNECTPOSITRONIC.COM/PRODUCTS/59/HIGHDENSITYD-SUBMINIATURE) OR [CONNECTPOSITRONIC.COM](http://CONNECTPOSITRONIC.COM).
  3. CONNECTORS ARE COMPLIANT TO THE CURRENT ROHS DIRECTIVE.
  4. DIMENSIONS ARE IN INCHES [MILLIMETERS].

DATE	REV	REVISION/RECORD	APP	DR	CK
10-27	NC	ECO 34641	COLF	LD	COLF
6-17	A	ECO 39827	TK	BE	TK
13					

SK12838



**POSITRONIC INDUSTRIES INC.**  
www.connectpositronic.com

FSCM 28198

DECIMAL TOL.	SCALE	DRAWN BY
± 0.015 [0.38]	N.T.S.	L. OMENS
	APPROVED BY	COLF

DD SERIES  
DD15MAR7000/AA

ANGULAR TOL.	DATE	DRAWING NUMBER	REV.
± 5°	10-27-11	SK12838	A