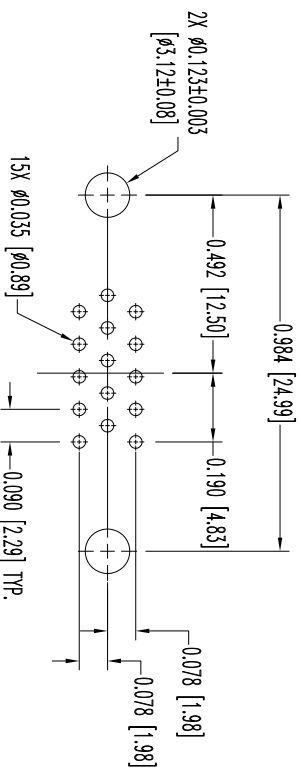
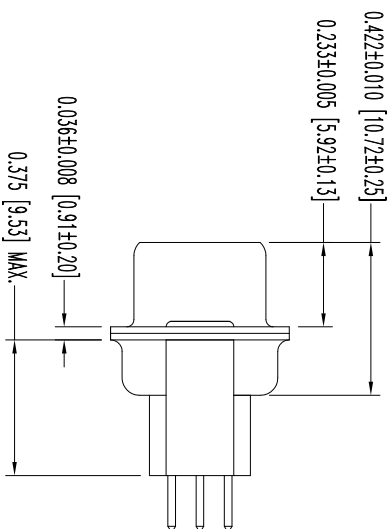
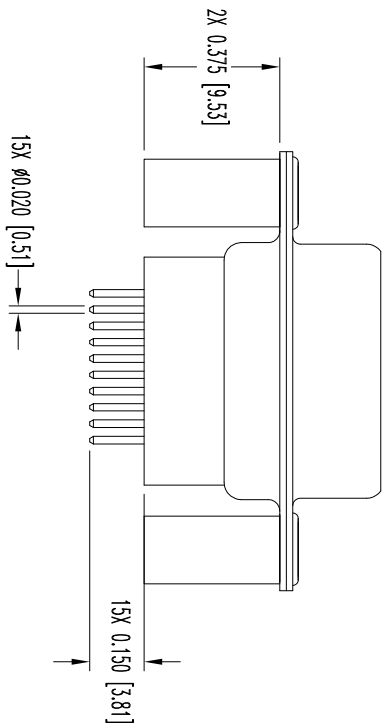
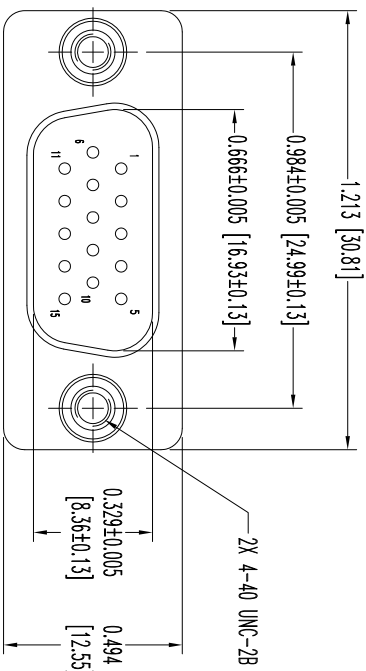


THIS DRAWING CONTAINS INFORMATION PROPRIETARY TO POSITRONIC AND ITS SUBSIDIARIES. POSITRONIC BELIEVES THE DATA ON THIS DRAWING TO BE RELIABLE. SINCE THE TECHNICAL INFORMATION IS GIVEN WITHOUT GUARANTEE, POSITRONIC ASSUMES NO RESPONSIBILITY FOR THE USE OF THIS INFORMATION. POSITRONIC ASSUMES NO RESPONSIBILITY FOR RESULTS OBTAINED OR DAMAGES INCURRED FROM USE OF SUCH INFORMATION IN WHOLE OR IN PART.



**CONTACT HOLE PATTERN**

**NOTES:**

**1. MATERIALS AND FINISHES:**

INSULATOR: GLASS FILLED PESTER PER ASTM D5927, UL 94V-0, BLUE COLOR.  
CONTACTS: PRECISION MACHINED COPPER ALLOY, GOLD FLASH OVER NICKEL PLATE.  
SHELS: STEEL, ZINC PLATE WITH CHROMATE SEAL.

**2. DETAILED PRODUCT, ELECTRICAL, AND MECHANICAL INFORMATION IS AVAILABLE**

IN THE LATEST HIGH DENSITY D-SUBMINIATURE PRODUCT PUBLICATION.  
VISIT [CONNECTPOSITRONIC.COM/PRODUCTS/59/HIGHDENSITYD-SUBMINIATURE](http://CONNECTPOSITRONIC.COM/PRODUCTS/59/HIGHDENSITYD-SUBMINIATURE)  
OR [CONNECTPOSITRONIC.COM](http://CONNECTPOSITRONIC.COM)

**3. CONNECTORS ARE COMPLIANT TO THE CURRENT ROHS DIRECTIVE.**

**4. DIMENSIONS ARE IN INCHES [MILLIMETERS].**

DATE	REV	REVISION RECORD	APP	DR	CK
10-27-11	NC	ECO 34641	COLM	LO	COLM
6-17-13	A	ECO 39827	TK	BE	TK

SK12837



**POSITRONIC INDUSTRIES INC.**  
www.connectpositronic.com

FSCM 28198

DECIMAL TOL.	SCALE	DRAWN BY
± 0.015 [0.38]	N.T.S.	L. OMENS
	APPROVED BY	COLE

TITLE	DD SERIES	DD15M3S000/AA
-------	-----------	---------------

ANGULAR TOL.	DATE	DRAWING NUMBER	REV.
± 5°	10-27-11	SK12837	A