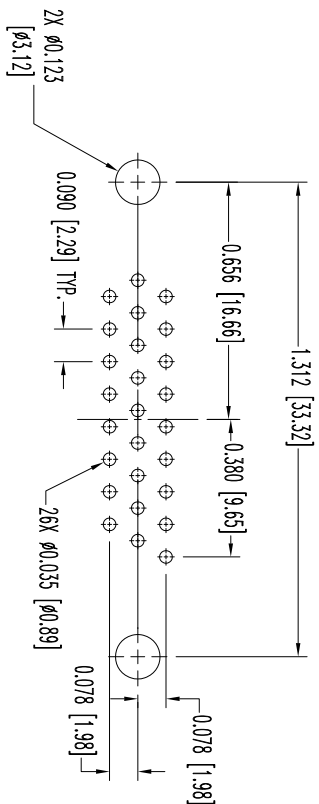
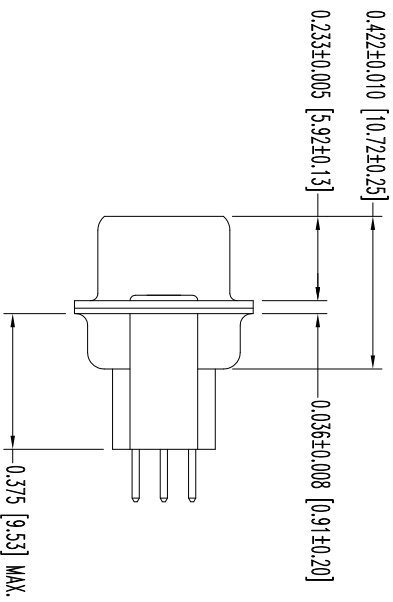
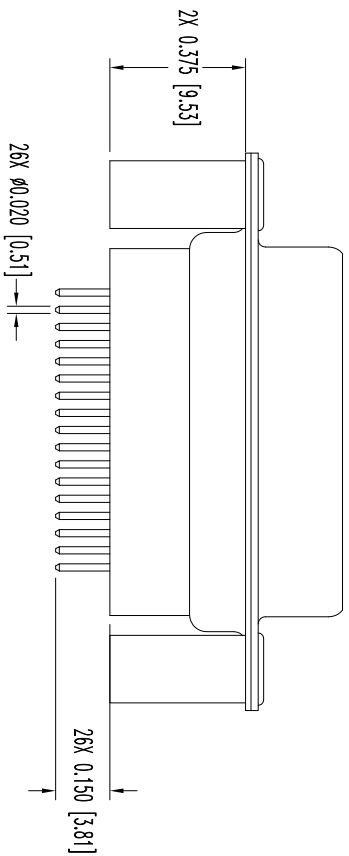
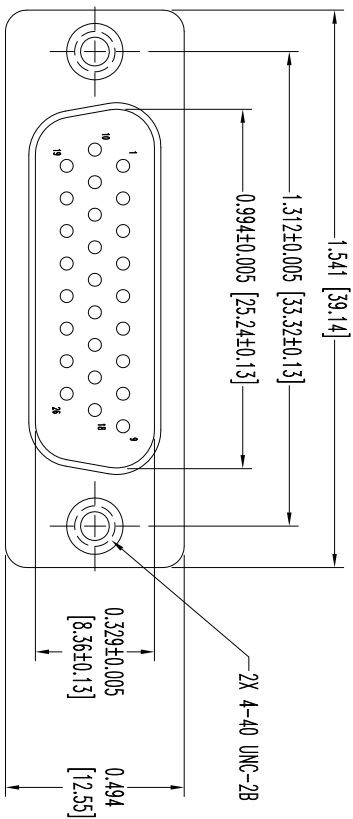


THIS DRAWING CONTAINS INFORMATION PROPRIETARY TO POSITRONIC AND ITS SUBSIDIARIES. POSITRONIC BELIEVES THE DATA ON THIS DRAWING TO BE RELIABLE. SINCE THE TECHNICAL INFORMATION IS GIVEN FREE OF CHARGE, THE USER ASSUMES ALL LIABILITY FOR THE USE OF THIS INFORMATION AND RISK. POSITRONIC ASSUMES NO RESPONSIBILITY FOR SUCH INFORMATION IN WHOLE OR IN PART.



CONTACT HOLE PATTERN

NOTES:

1. MATERIALS AND FINISHES:
INSULATOR: GLASS FILLED POLYESTER PER ASTM-D5927, UL 94V-0, COLOR: BLUE.
CONTACTS: PRECISION MACHINED COPPER ALLOY, GOLD FLASH OVER NICKEL PLATE.
SHELLS: STEEL, ZINC PLATE WITH CHROMATE SEAL.
SPACERS: STEEL, ZINC PLATE WITH CHROMATE SEAL.
2. DETAILED PRODUCT INFORMATION IS AVAILABLE IN THE LATEST HIGH DENSITY D-SUB PRODUCT PUBLICATION. VISIT CONNECTPOSITRONIC.COM/PRODUCTS/59/HIGHDENSITY-D-SUBMINIATURE OR CONNECTPOSITRONIC.COM.
3. CONNECTORS ARE COMPLIANT TO THE CURRENT ROHS DIRECTIVE.
4. DIMENSIONS ARE IN INCHES [MILLIMETERS].

DATE	REV	REVISION RECORD	APP	DR	CK
10-25	Nc	ECO 34633	COLF	LO	COLF
6-11	A	ECO 39758	COLF	BE	COLF

SK12771

<p>POSITRONIC INDUSTRIES INC. www.connectpositronic.com</p>		SCALE		DRAWN BY	
		N.T.S.		L. OWENS	
DD SERIES		APPROVED BY		FSCM 28198	
DD26M3S000/AA		COLE			
DATE	10-25-11	DRAWING NUMBER	SK12771	REV.	A
ANGULAR TOL.	± 5°	DECIMAL TOL.	± 0.015 [0.38]		