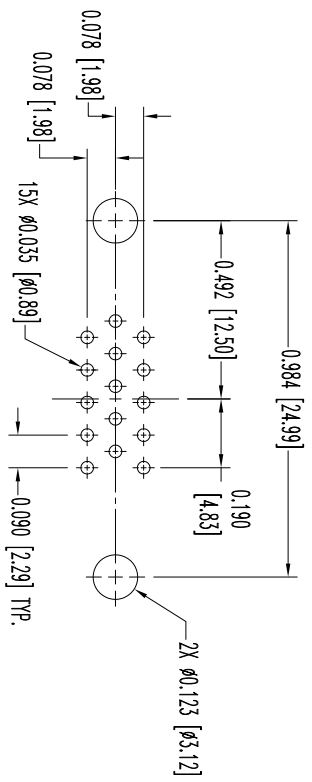
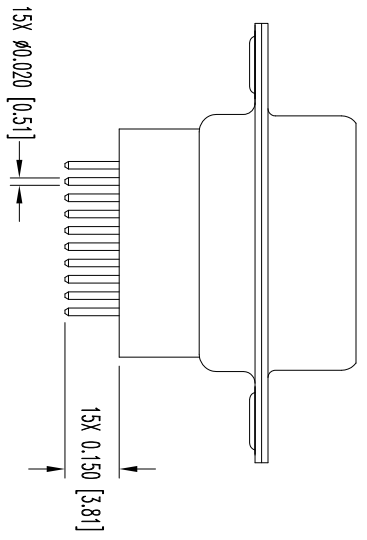
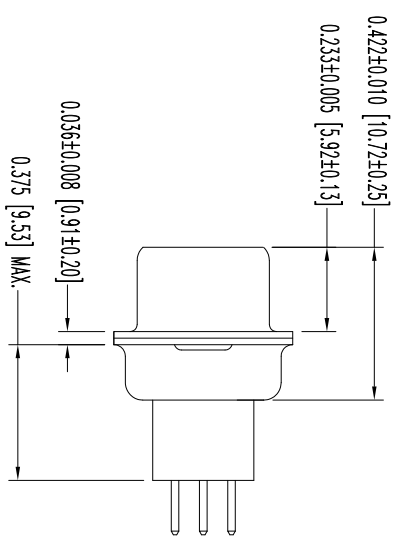
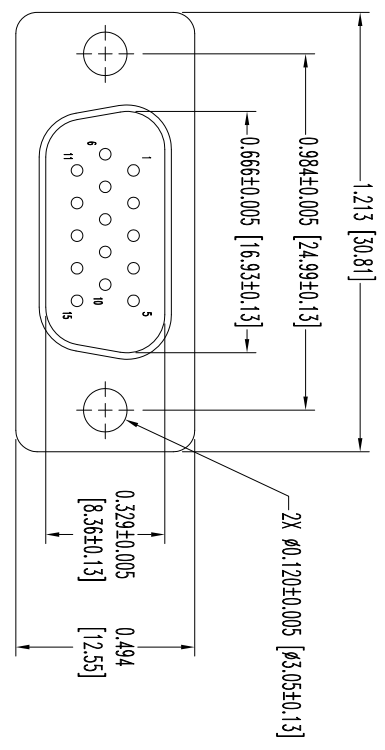


THIS DRAWING CONTAINS INFORMATION PROPRIETARY TO POSITRONIC INDUSTRIES INC. THE DATA ON THIS DRAWING TO BE RELEASED SINCE THE TECHNICAL INFORMATION IS GIVEN FREE OF CHARGE. THE USER EMPLOYER'S SUCH INFORMATION AT HIS OWN DISCRETION. POSITRONIC INDUSTRIES INC. ASSUMES NO LIABILITY FOR RESULTS OBTAINED OR DAMAGES INCURRED FROM USE OF SUCH INFORMATION IN WHOLE OR IN PART.



CONTACT HOLE PATTERN

- NOTES:
1. MATERIALS AND FINISHES:  
INSULATOR: GLASS FILLED POLYESTER PER ASTM D5927, UL 94V-0, BLUE COLOR.  
CONTACTS: PRECISION MACHINED HIGH TENSILE COPPER ALLOY, GOLD FLASH OVER NICKEL FINISH.  
SHELS: STEEL, ZINC PLATE WITH CHROMATE SEAL.
  2. DETAILED PRODUCT, ELECTRICAL, AND MECHANICAL INFORMATION IS AVAILABLE IN THE LATEST HIGH DENSITY D-SUBMINIATURE PRODUCT PUBLICATION. VISIT [CONNECTPOSITRONIC.COM/PRODUCTS/59/HIGHDENSITYD-SUBMINIATURE](http://CONNECTPOSITRONIC.COM/PRODUCTS/59/HIGHDENSITYD-SUBMINIATURE) OR [CONNECTPOSITRONIC.COM](http://CONNECTPOSITRONIC.COM).
  3. CONNECTORS ARE ROHS COMPLIANT TO THE CURRENT ROHS DIRECTIVE.
  4. DIMENSIONS ARE IN INCHES [MILLIMETERS].

DATE	REV	REVISION RECORD	APP	DR	CK
12-1-08	NC	ECO 30334	TK	YK	COLB
3-30-10	A	ECO 32305	TK	BE	TK
11-29-12	B	ECO 37753	COLB	BE	COLB

SK10035



**POSITRONIC INDUSTRIES INC.**  
www.connectpositronic.com

DECIMAL TOL. ± 0.015 [0.38]	SCALE N.T.S.	DRAWN BY YK	FSC# 28198
ANGULAR TOL. ± 5°	TITLE DD SERIES	APPROVED BY T KEPLBY	
DATE 12-1-08	DRAWING NUMBER DD15M30000/AA	REV. B	