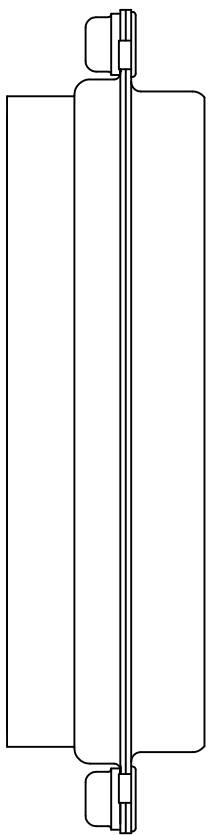
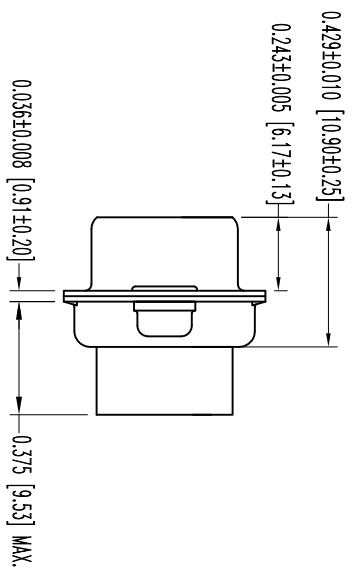
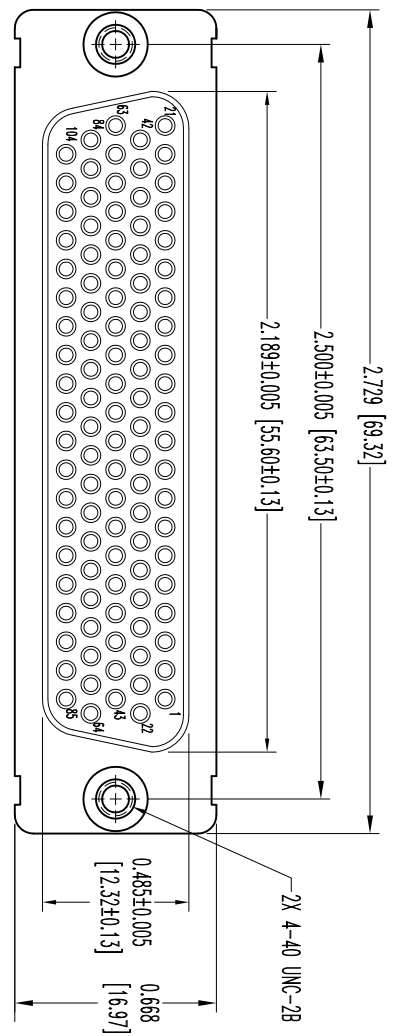


THIS DRAWING CONTAINS INFORMATION PROPRIETARY TO POSITRONIC INDUSTRIES INC. THE DATA ON THIS DRAWING TO BE RELIABLE SINCE THE USER EMPLOYS SUCH INFORMATION AT HIS OWN DISCRETION. RESULTS OBTAINED OR DAMAGES INCURRED FROM USE OF SUCH INFORMATION IN WHOLE OR IN PART.

SK12861

DATE	REV	REVISION RECORD	APP	DR	CK
10-28-11	NC	ECO 34646	COLB	BS	COLB



NOTES:

1. MATERIALS AND FINISHES:
INSULATOR: GLASS FILLED POLYESTER PER ASTM D5927, UL 94V-0, BLUE COLOR.
SHELLS: STEEL, ZINC PLATE WITH CHROMATE SEAL.
CLINCH NUTS: STEEL, ZINC PLATE WITH CHROMATE SEAL.
2. DETAILED PRODUCT, ELECTRICAL, AND MECHANICAL INFORMATION IS AVAILABLE IN THE LATEST HIGH DENSITY D-SUBMINIATURE PRODUCT PUBLICATION. VISIT CONNECTPOSITRONIC.COM/PRODUCTS/59/HIGHDENSITY-D-SUBMINIATURE OR CONNECTPOSITRONIC.COM.
3. DIMENSIONS ARE IN INCHES [MILLIMETERS].



POSITRONIC INDUSTRIES INC.
www.connectpositronic.com
FSC# 28198

DECIMAL TOL. ± 0.015 [0.38]	ANGULAR TOL. ± 5°	TITLE DD SERIES	SCALE N.T.S.	DRAWN BY BS	DATE 10-28-11	DRAWING NUMBER SK12861	REV. NC
		DD104S0S5000		APPROVED BY COLB			