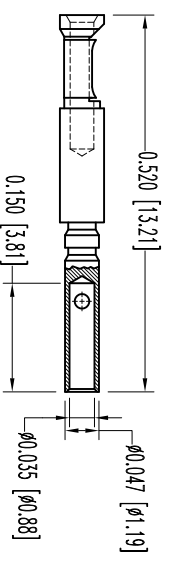
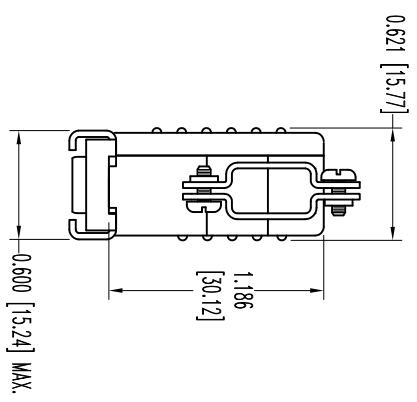
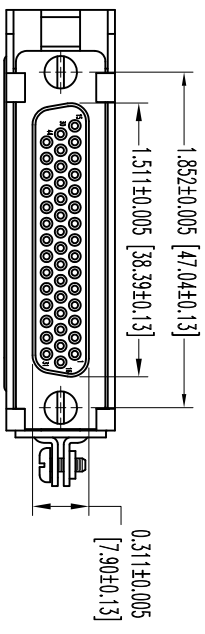
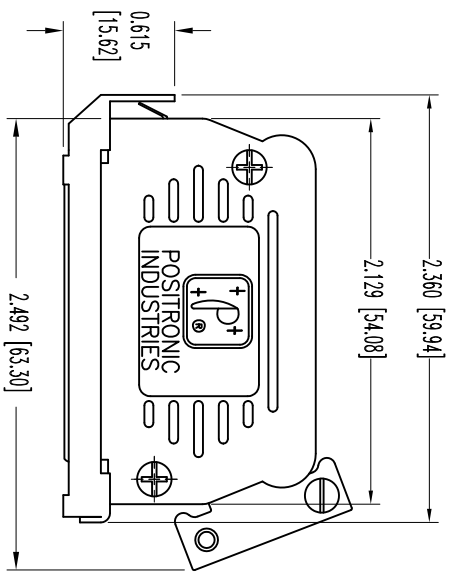


THIS DRAWING CONTAINS INFORMATION PROPRIETARY TO POSTRONIC INDUSTRIES. THE DATA ON THIS DRAWING TO BE RELIABLE, SINCE THE USER EMPLOYS SUCH INFORMATION AT HIS OWN DISCRETION. POSTRONIC INDUSTRIES ASSUMES NO LIABILITY FOR RESULTS OBTAINED OR DAMAGES INCURRED FROM USE OF SUCH INFORMATION IN WHOLE OR IN PART.



44X FEMALE CONTACT
(ENLARGED)

NOTES:
1. MATERIALS AND FINISHES:

- INSULATOR: GLASS FILLED POLYESTER PER ASTM-D5927, UL 94V-0, COLOR: BLUE.
- CONTACTS: PRECISION MACHINED COPPER ALLOY, GOLD FLASH OVER NICKEL PLATE.
- SHELLS: STEEL, ZINC PLATE WITH CHROMATE SEAL.
- HOOD: GLASS FILLED POLYESTER, UL 94V-0, COLOR: BLACK.
- LOCK LEVER: STEEL WITH NICKEL PLATE.
- CABLE CLAMPS: STEEL WITH NICKEL PLATE.
- CABLE CLAMP SCREWS: BRASS, ZINC PLATE WITH CHROMATE SEAL.
- SCREWS: STEEL, ZINC PLATE WITH CHROMATE SEAL.
- 2. DETAILED PRODUCT, MECHANICAL, AND ELECTRICAL INFORMATION IS AVAILABLE IN THE LATEST HIGH DENSITY D-SUB PRODUCT PUBLICATION. VISIT CONNECTPOSTRONIC.COM/PRODUCTS/59/HIGHDENSITY-D-SUBMINIATURE-OR-CONNECTPOSTRONIC.COM.
- 3. DIMENSIONS ARE IN INCHES [MILLIMETERS].

DATE	REV	REVISION RECORD	APP	DR	CK
7-14	NC	ECO 34241	COL	ME	COL

SK12470



POSTRONIC INDUSTRIES INC.
www.connectpostronic.com

FSC# 28198

ANGULAR TOL. ± 5°	DECIMAL TOL. ± 0.015 [0.38]	TITLE DD SERIES	SCALE N.T.S.	DRAWN BY ME	APPROVED BY COL
DATE 7-14-11	DRAWING NUMBER SK12470	REV. NC	DD44S10LV10		