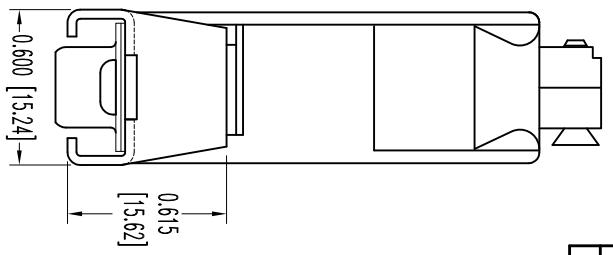
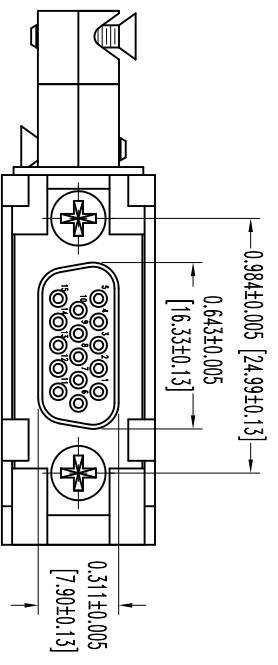
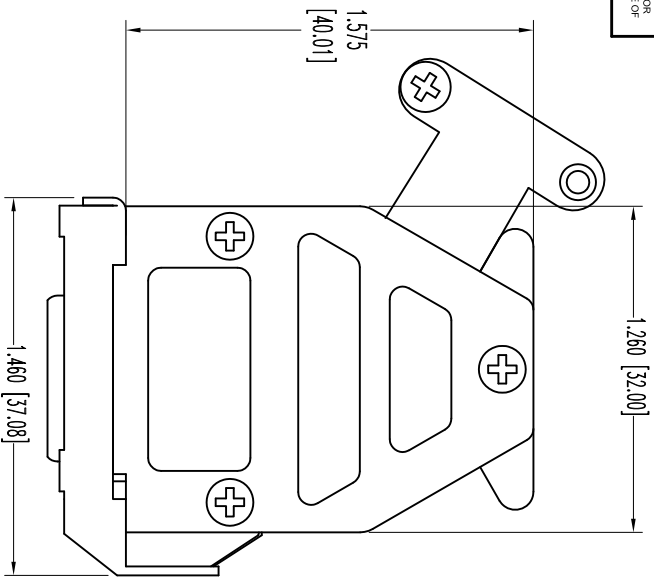


THIS DRAWING CONTAINS INFORMATION PROPRIETARY TO POSITRONIC AND ITS SUBSIDIARIES. POSITRONIC BELIEVES THE DATA ON THIS DRAWING TO BE RELIABLE, SINCE THE USER HAS NOTIFIED POSITRONIC OF ANY DISCREPANCY. POSITRONIC ASSUMES NO RESPONSIBILITY FOR RESULTS OBTAINED OR DAMAGES INCURRED FROM USE OF SUCH INFORMATION IN WHOLE OR IN PART.




NOTES:

1. MATERIALS AND FINISHES:
 INSULATOR: GLASS FILLED POLYESTER PER ASTM-D5927, UL 94V-0, COLOR: BLUE.
 SHELLS: STEEL, ZINC PLATE WITH CHROMATE SEAL.
 HOOD AND CABLE CLAMPS: DIE CAST ZINC.
 LOCK LEVER: STEEL WITH NICKEL PLATE.
 CABLE CLAMP AND COVER SCREWS: STEEL WITH NICKEL PLATE.
 MOUNTING SCREWS: STEEL, ZINC PLATE WITH CHROMATE SEAL.
2. DETAILED PRODUCT, MECHANICAL, AND ELECTRICAL INFORMATION IS AVAILABLE IN THE LATEST HIGH DENSITY D-SUB PRODUCT PUBLICATION. VISIT CONNECTPOSITRONIC.COM/PRODUCTS/59/HIGHDENSITY-D-SUBMINATURE-OR-CONNECTPOSITRONIC.COM.
3. DIMENSIONS ARE IN INCHES [MILLIMETERS].

DATE	REV	REVISION RECORD	APP	DR	OK
7-13	NC	ECO 34235	COL	BS	COL

SK12465

 <p>POSITRONIC INDUSTRIES INC. www.connectpositronic.com</p>		SCALE		DRAWN BY	
		N.T.S.		B SHELLIDY	
DECIMAL TOL.		TITLE		DATE	
± 0.015 [0.38]		DD STRIPS		7-13-11	
ANGULAR TOL.		DRAWING NUMBER		REV.	
± 5°		DD15S00GV10		NC	
		FSC# 28198		APPROVED BY	
				COLE	
		SK12465			