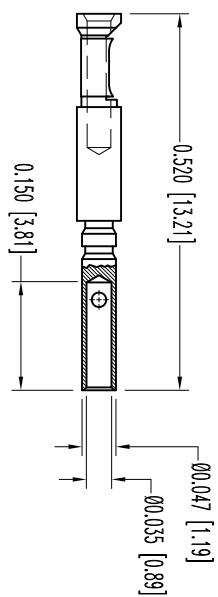
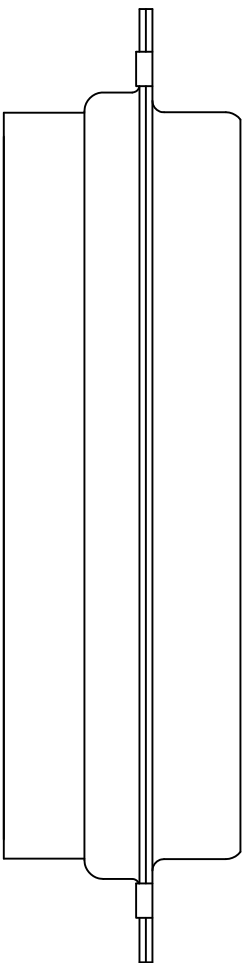
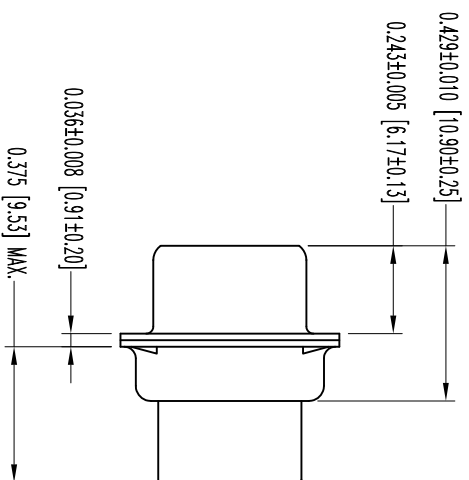
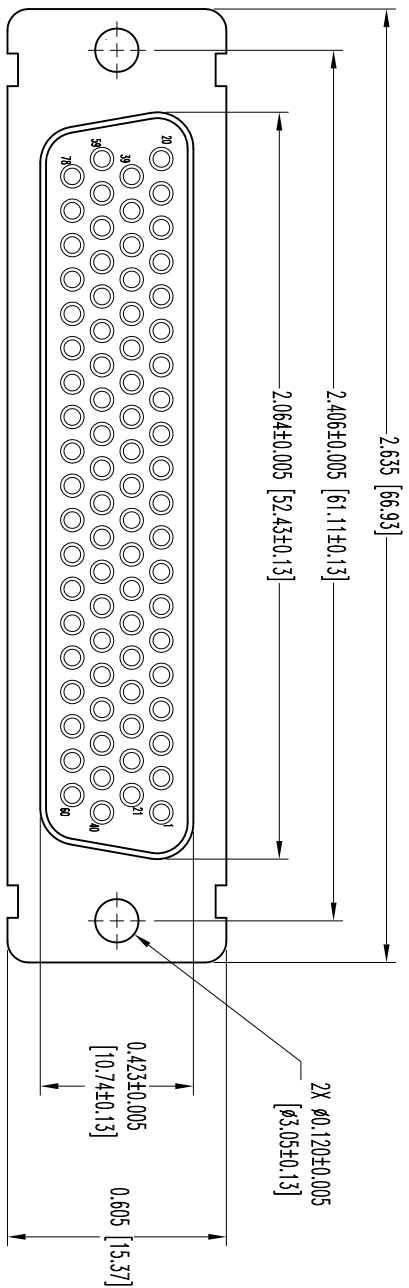


THIS DRAWING CONTAINS INFORMATION PROPRIETARY TO POSITRONIC INDUSTRIES, INC. ANY REPRODUCTION, DISCLOSURE OR USE OF THIS DRAWING IS EXPRESSLY AND EXCLUSIVELY FOR THE USE OF THE CUSTOMER. POSITRONIC INDUSTRIES, INC. MAY OTHERWISE ADOPT IN WRITING.



78X FEMALE CONTACT
ENLARGED

NOTES:

1. MATERIALS AND FINISHES:
INSULATOR: GLASS FILLED POLYESTER PER ASTM D5927, UL 94V-0, BLUE COLOR.
CONTACTS: PRECISION MACHINED COPPER ALLOY, GOLD FLASH OVER NICKEL FINISH.
SHELLS: STAINLESS STEEL, PASSIVATED.
2. DETAILED PRODUCT, ELECTRICAL, AND MECHANICAL INFORMATION IS AVAILABLE IN THE LATEST HIGH DENSITY D-SUBMINIATURE PRODUCT PUBLICATION.
VISIT CONNECTPOSITRONIC.COM/PRODUCTS/59/HIGHDENSITYD-SUBMINIATURE
OR CONNECTPOSITRONIC.COM.
3. DIMENSIONS ARE IN INCHES [MILLIMETERS].

DATE	REV	REVISION RECORD	APP	DR	CK
5-16	11	NC	ECO	34024	COLE BS COLE

SK12384



POSITRONIC INDUSTRIES INC.
SPRINGFIELD, MISSOURI 65801

DECIMAL TOL.	SCALE	DRAWN BY
± 0.015 [0.38]	N.T.S.	B SHELLADY
ANGULAR TOL.	APPROVED BY	
± 5	COLE	

DD SPRINGS	DD78S1000S	REV.
DATE	DRAWING NUMBER	NC
5-16-11	SK12384	