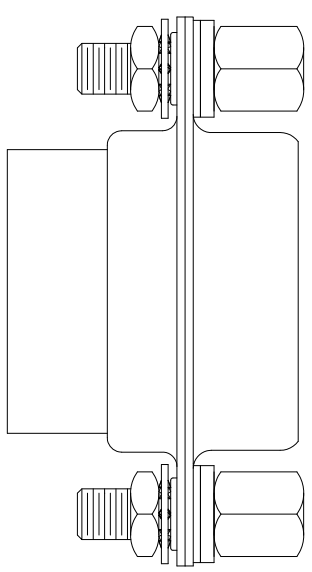
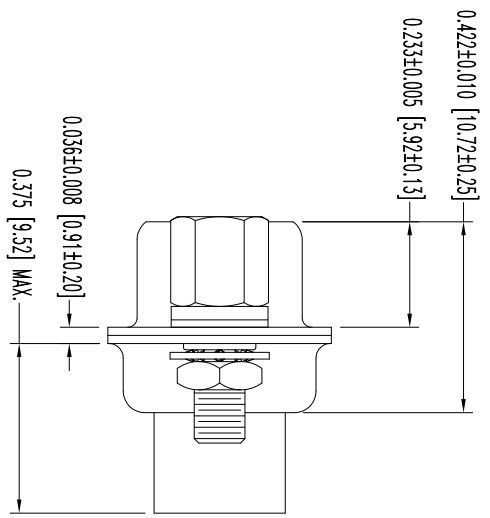
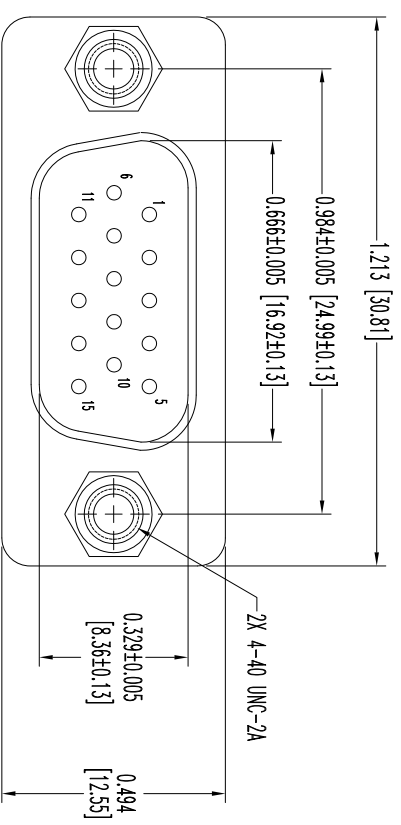


THIS DRAWING CONTAINS INFORMATION PROPRIETARY TO POSITRONIC INDUSTRIES INC. THE DATA ON THIS DRAWING TO BE RELIABLE SINCE THE USER EMPLOY'S SUCH INFORMATION AT HIS OWN DISCRETION. RESULTS OBTAINED OR DAMAGES INCURRED FROM USE OF SUCH INFORMATION IN WHOLE OR IN PART.



- NOTES:
1. MATERIALS AND FINISHES:
INSULATOR: GLASS FILLED POLYESTER PER ASTM D5927, UL 94V-0, COLOR BLUE.
SHELS: STEEL, ZINC PLATED WITH CHROMATE SEAL.
JACKSCREWS: STEEL, ZINC PLATE WITH CHROMATE SEAL.
 2. DETAILED PRODUCT ELECTRICAL AND MECHANICAL INFORMATION IS AVAILABLE IN LATEST HIGH DENSITY D-SUB PRODUCT PUBLICATION. VISIT CONNECTROSTRONIC.COM/PRODUCTS/59/HIGHDENSITYD-SUBMINIATURE OR CONNECTROSTRONIC.COM
 3. DIMENSIONS ARE IN INCHES [MILLIMETERS].

DATE	REV	REVISION RECORD	APP	DR	CK
09-10	13	NC	ECO	40736	COLL BS COLP

SK15337



POSITRONIC INDUSTRIES INC.
www.connectpositronic.com

DECIMAL TOL.	± 0.015 [0.38]
ANGULAR TOL.	± 5°

DATE	09-10-13	DRAWING NUMBER	SK15337	REV.	NC
TITLE	DD15M000T20				
DD SERIES	SCALE	DRAWN BY	APPROVED BY		
	N.T.S.	B SHELLADY	COLP		