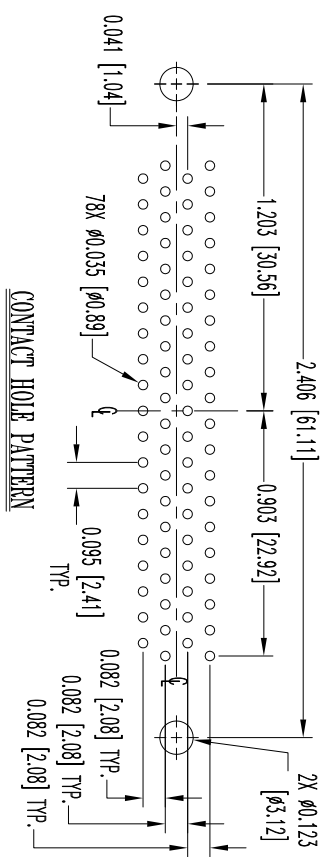
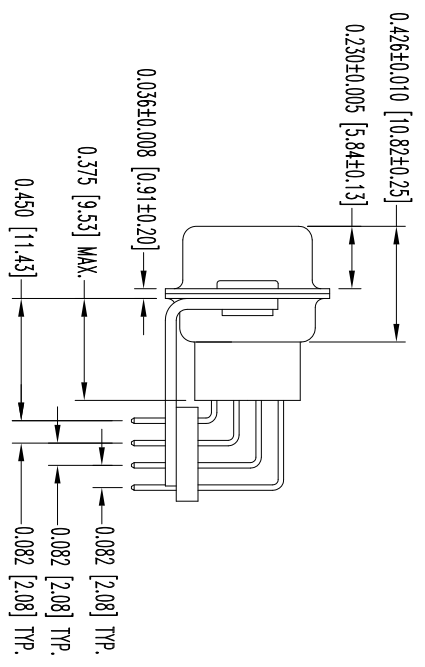
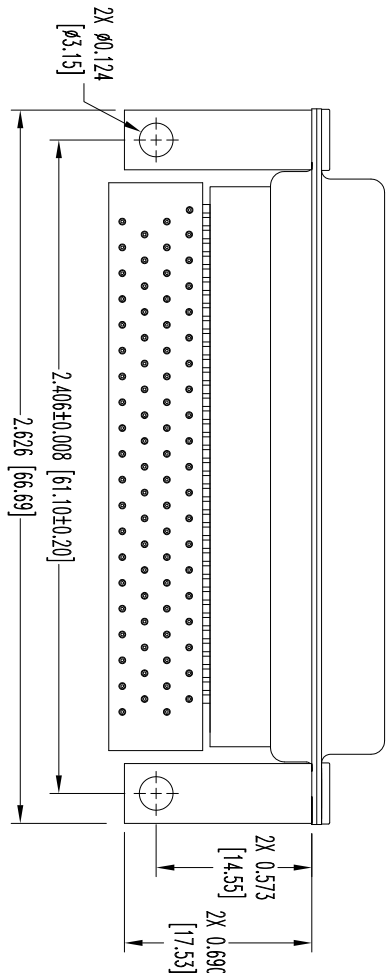
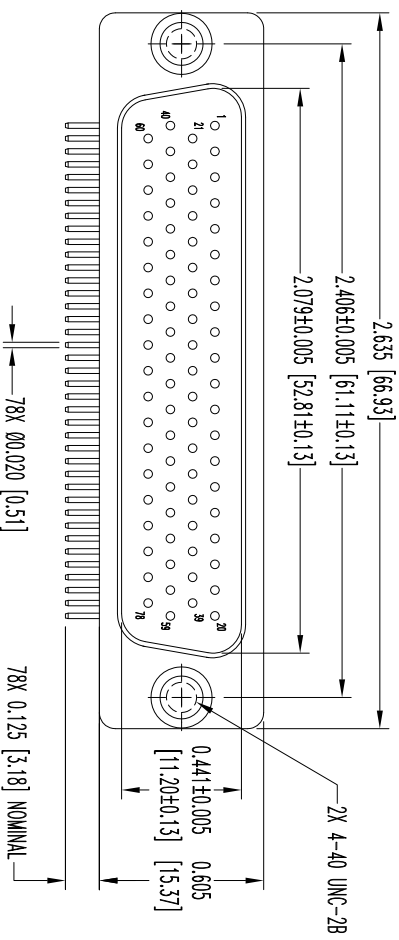


THIS DRAWING CONTAINS INFORMATION PROPRIETARY TO POSITRONIC AND ITS SUBSIDIARIES. POSITRONIC BELIEVES THE DATA ON THIS DRAWING TO BE RELIABLE, SINCE THE USER HAS BEEN ADVISED OF THE POSSIBILITY OF SUCH INFORMATION AND RISK. POSITRONIC ASSUMES NO RESPONSIBILITY FOR RESULTS OBTAINED OR DAMAGES INCURRED FROM USE OF SUCH INFORMATION IN WHOLE OR IN PART.



- NOTES:
1. MATERIALS AND FINISHES:  
INSULATOR: GLASS FILLED POLYESTER PER ASTM D5927, UL 94V-0, BLUE COLOR.  
CONTACTS: COPPER ALLOY, GOLD FLASH OVER NICKEL PLATE.  
SHELLS: STEEL, ZINC PLATED WITH CHROMATE SEAL.  
MOUNTING BRACKETS: BRASS, ZINC PLATE.  
ALIGNMENT BAR: GLASS FILLED POLYESTER, COLOR BLACK.
  2. DETAILED PRODUCT, ELECTRICAL, AND MECHANICAL INFORMATION IS AVAILABLE IN THE LATEST HIGH DENSITY D-SUB PRODUCT PUBLICATION. VISIT [CONNECTPOSITRONIC.COM/PRODUCTS/59/HIGHDENSITY-SUBMINIATURE](http://CONNECTPOSITRONIC.COM/PRODUCTS/59/HIGHDENSITY-SUBMINIATURE) OR [CONNECTPOSITRONIC.COM](http://CONNECTPOSITRONIC.COM).
  3. CONNECTORS ARE COMPLIANT TO THE CURRENT ROHS DIRECTIVE.
  4. DIMENSIONS ARE IN INCHES [MILLIMETERS].

DATE	REV	REVISION/RECORD	APP	DR	CK
10-25-11	NC	ECO 34626	COLF	BE	COLF
6-10-13	A	ECO 39741	COLF	BE	COLF

SK12749

<p><b>POSITRONIC INDUSTRIES INC.</b> www.connectpositronic.com</p>		SCALE		DRAWN BY	
		DD SERIES		B. EVANS	
DECIMAL TOL.		SCALE		APPROVED BY	
± 0.015 [0.38]		N.T.S.		COLE	
TITLE		DD78MAR7000/AA			
DATE		DRAWING NUMBER		REV.	
10-25-11		SK12749		A	
ANGULAR TOL.		FSCM 28198			
± 5°					