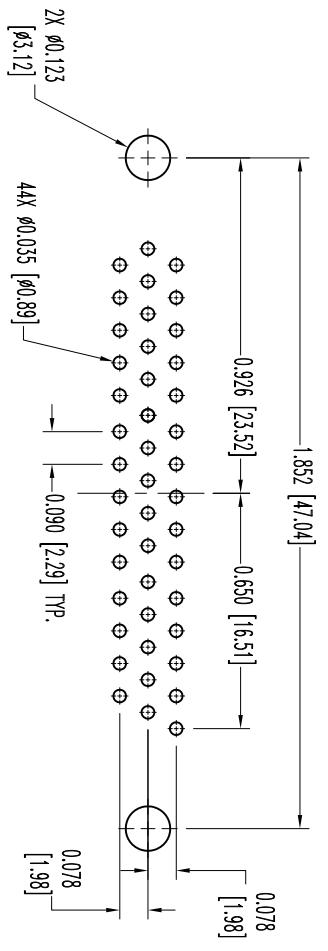
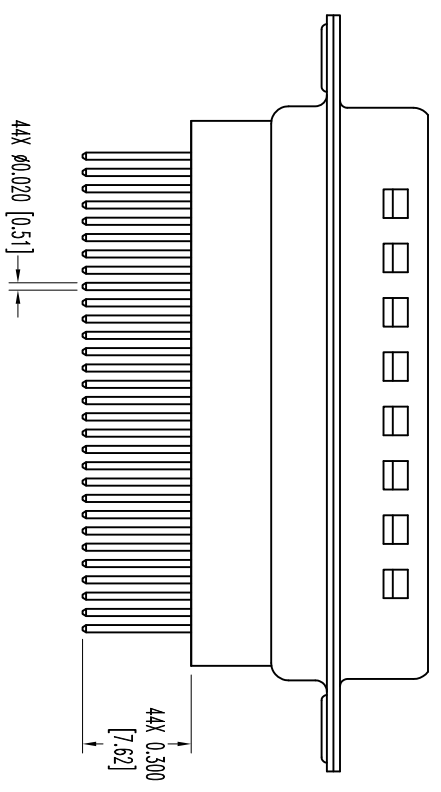
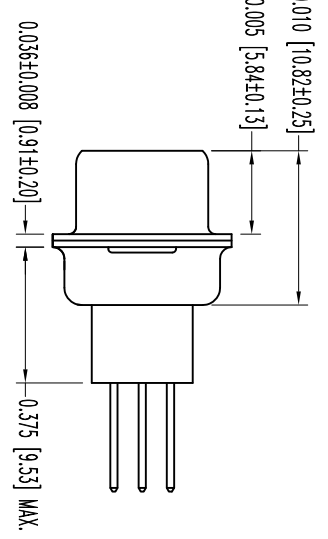
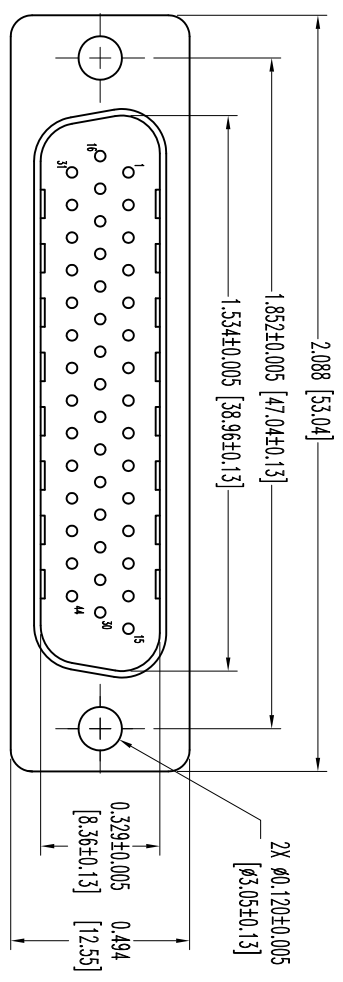


THIS DRAWING CONTAINS INFORMATION PROPRIETARY TO POSITRONIC AND ITS SUBSIDIARIES. POSITRONIC BELIEVES THE DATA ON THIS DRAWING TO BE RELIABLE, SINCE THE RESEARCH AND DEVELOPMENT COSTS WERE RECOVERED THROUGH THE USE OF THIS DRAWING. POSITRONIC ASSUMES NO RESPONSIBILITY FOR RESULTS OBTAINED OR DAMAGES INCURRED FROM USE OF SUCH INFORMATION IN WHOLE OR IN PART.



CONTACT HOLE PATTERN

DATE	REV	REVISION/RECORD	APP	DR	CK
1-28	NC	ECO 33612	COLM	BS	COLM

SK12142

- NOTES:
1. MATERIALS AND FINISHES:  
INSULATOR: GLASS FILLED PESTER, ASTM D5927, UL 94V-0, COLOR BLUE.  
CONTACTS: PRECISION MACHINED HIGH TENSILE COPPER ALLOY, GOLD FLASH OVER NICKEL FINISH.  
SHELLS: STEEL, TIN PLATED AND DIMPLED.
  2. DETAILED PRODUCT, ELECTRICAL, AND MECHANICAL INFORMATION IS AVAILABLE IN THE LATEST HIGH DENSITY D-SUB PRODUCT PUBLICATION. VISIT [CONNECTPOSITRONIC.COM/PRODUCTS/59/HIGHDENSITY-D-SUBMINIATURE](http://CONNECTPOSITRONIC.COM/PRODUCTS/59/HIGHDENSITY-D-SUBMINIATURE) OR [CONNECTPOSITRONIC.COM](http://CONNECTPOSITRONIC.COM).
  3. DIMENSIONS ARE IN INCHES [MILLIMETERS].

		<b>POSITRONIC INDUSTRIES INC.</b> <a href="http://www.connectpositronic.com">www.connectpositronic.com</a>		<b>FSC# 28198</b>	
		DD SERIES	SCALE N.T.S.	DRAWN BY B SHELLIDY	APPROVED BY COLE
DECIMAL TOL. $\pm 0.015$ [0.38]	TITLE DD44M32000Z	REV. NC			
ANGULAR TOL. $\pm 5^\circ$					