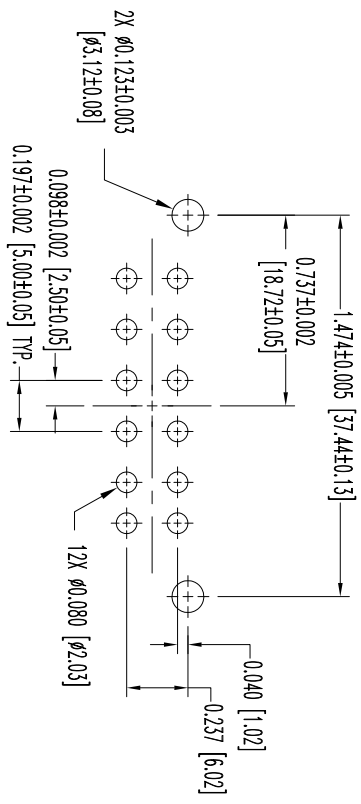
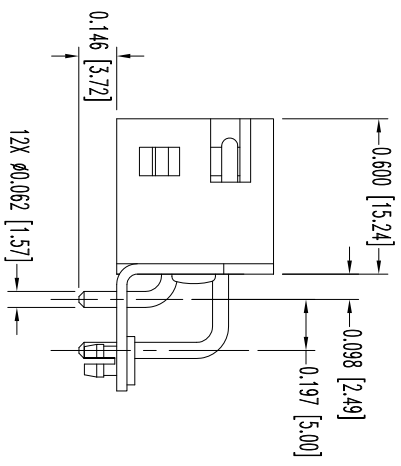
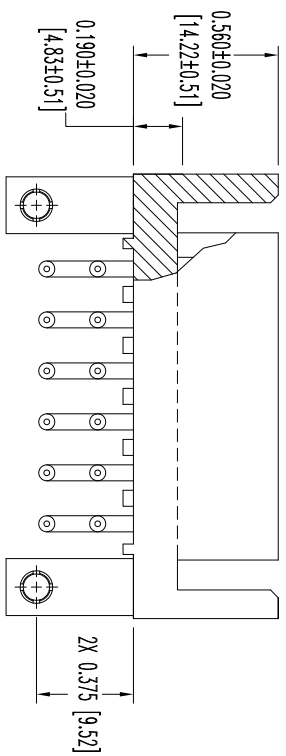
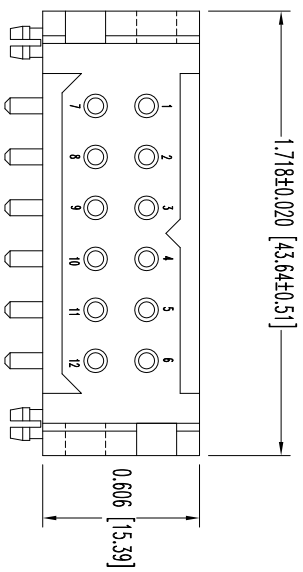


THIS DRAWING CONTAINS INFORMATION PROPRIETARY TO POSITRONIC AND ITS SUBSIDIARIES. POSITRONIC BELIEVES THE DATA ON THIS DRAWING TO BE RELIABLE, SINCE THE USER EMPLOYING THIS INFORMATION ASSUMES OWN DISCRETION AND RISK. POSITRONIC ASSUMES NO RESPONSIBILITY FOR RESULTS OBTAINED OR DAMAGES INCURRED FROM USE OF SUCH INFORMATION IN WHOLE OR IN PART.



CONTACT HOLE PATTERN

- NOTES:
1. MATERIALS AND FINISHES:
INSULATOR: GLASS FILLED POLYESTER, UL 94V-0, COLOR BLUE.
CONTACTS: PRECISION MACHINED COPPER ALLOY, GOLD FLASH OVER NICKEL.
MOUNTING BRACKETS: BRASS, TIN PLATE.
MOUNTING SCREWS: STEEL, TIN PLATE.
 2. DETAILED PRODUCT, MECHANICAL, AND ELECTRICAL INFORMATION IS AVAILABLE IN THE LATEST POWER CONNECTION SYSTEMS PRODUCT PUBLICATION.
VISIT CONNECTPOSITRONIC.COM/PRODUCTS/20/POWERCONNECTIONSYSTEMS
OR CONNECTPOSITRONIC.COM.
 3. CONNECTORS ARE ROHS COMPLIANT PER CURRENT ROHS DIRECTIVE.
 4. DIMENSIONS ARE IN INCHES [MILLIMETERS].

DATE	REV	REVISION RECORD	APP	DR	CK
12-21	NC	ECO 38092		TK	

SK14785

<p>POSITRONIC INDUSTRIES INC. www.connectpositronic.com</p>		SCALE		DRAWN BY	
		N.T.S.		T. KIPPLEY	
DECIMAL TOL.		TITLE		FSCM 28198	
± 0.015 [0.38]		PCS SERIES		PLB12M4BN0A1/AA	
ANGULAR TOL.		DATE		DRAWING NUMBER	
± 9°		12-21-12		SK14785	
				REV.	
				NC	