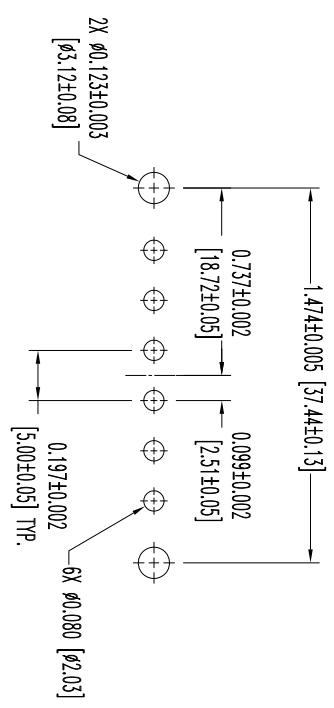
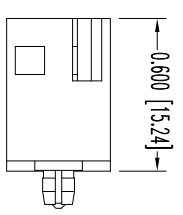
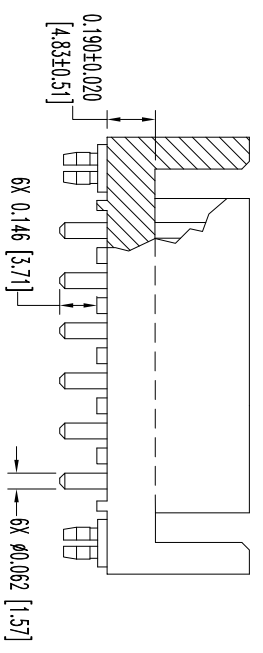
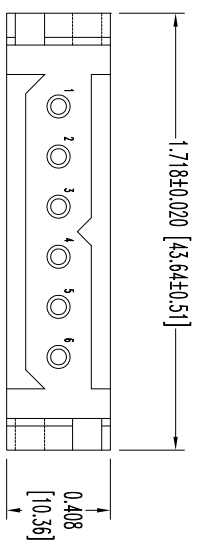


THIS DRAWING CONTAINS INFORMATION PROPRIETARY TO POSTTRONIC AND ITS SUBSIDIARIES. POSTTRONIC BELIEVES THE DATA ON THIS DRAWING TO BE RELIABLE SINCE THE DRAWING IS THE PROPERTY OF POSTTRONIC. POSTTRONIC MAKES NO WARRANTY AS TO THE ACCURACY OF THE DATA AND THE USER BEARERS SUCH INFORMATION AT HIS OWN DISCRETION AND RISK. POSTTRONIC ASSUMES NO RESPONSIBILITY FOR RESULTS OBTAINED OR DAMAGES INCURRED FROM USE OF SUCH INFORMATION UNLESS OTHERWISE STATED.

SK11504

DATE	REV	REVISION RECORD	APP	DR	OK
5-14-10	NC	ECO 32492	TK	BS	TK
1-28-13	A	ECO 38283	COLF	BE	COLF



CONTACT HOLE PATTERN

NOTES:


1. MATERIALS AND FINISHES:

INSULATOR: GLASS FILLED POLYESTER, UL 94V-0, COLOR: BLUE.
 CONTACTS: PRECISION MACHINED COPPER ALLOY, GOLD FLASH OVER NICKEL PLATE.
 PUSH FASTENERS: SPRING TEMPERED COPPER ALLOY WITH TIN PLATE.

2. DETAILED PRODUCT, MECHANICAL, AND ELECTRICAL INFORMATION IS AVAILABLE IN THE LATEST POWER CONNECTION SYSTEMS PRODUCT PUBLICATION. VISIT CONNECTPOSTTRONIC.COM/PRODUCTS/20/POWERCONNECTIONSYSTEMS OR

CONNECTPOSTTRONIC.COM.
 3. CONNECTORS ARE COMPLIANT TO THE CURRENT ROHS DIRECTIVE.

4. DIMENSIONS ARE IN INCHES [MILLIMETERS].

 <p>POSTTRONIC INDUSTRIES INC. www.connectposttronic.com</p>		<p>DATE: 5-14-10</p>	
		<p>DRAWING NUMBER: SK11504</p>	
<p>DECIMAL TOL: ± 0.015 [0.38]</p>		<p>SCALE: N.T.S.</p>	
<p>TITLE: PLA06M3NOA1/AA</p>		<p>DRAWN BY: B SHELLBUDY</p>	
<p>PCS SERIES</p>		<p>APPROVED BY: T KRPLBY</p>	
<p>ANGULAR TOL: ± 5°</p>		<p>FSCM 28198</p>	
<p>REV: A</p>		<p>REV: A</p>	