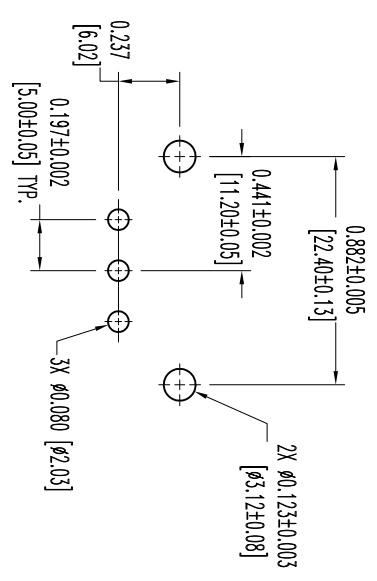
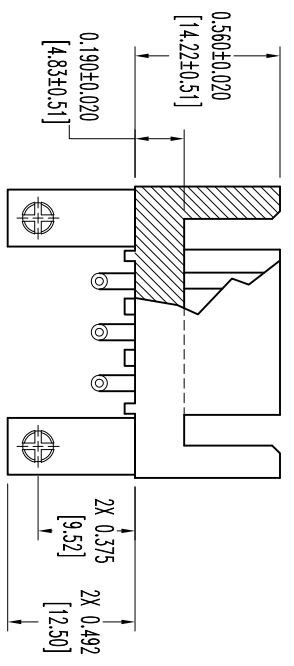
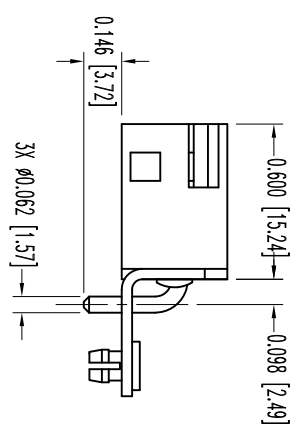
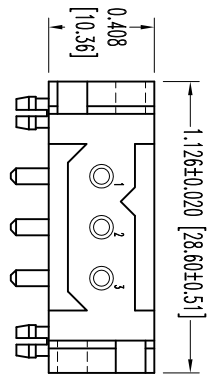


THIS DRAWING CONTAINS INFORMATION PROPRIETARY TO POSITRONIC AND ITS SUBSIDIARIES. POSITRONIC BELIEVES THE DATA ON THIS DRAWING TO BE RELIABLE, SINCE THE USER HAS BEEN ADVISED OF THE LIMITATIONS OF THE DATA AND RISK. POSITRONIC ASSUMES NO RESPONSIBILITY FOR SUCH INFORMATION IN WHOLE OR IN PART.



CONTACT HOLE PATTERN

NOTES:

1. MATERIALS AND FINISHES:

INSULATOR: GLASS FILLED POLYESTER, UL 94V-0, COLOR BLUE.

CONTACTS: PRECISION MACHINED COPPER ALLOY, GOLD FLASH OVER NICKEL PLATE.

MOUNTING BRACKET: BRASS, TIN PLATE.

MOUNTING SCREWS: STEEL, TIN PLATE.

PUSH-ON FASTENER: SPRING TEMPERED COPPER ALLOY, TIN PLATE.

2. DETAILED PRODUCT, MECHANICAL, AND ELECTRICAL INFORMATION IS AVAILABLE IN THE LATEST POWER CONNECTION SYSTEMS PRODUCT PUBLICATION. VISIT CONNECTPOSITRONIC.COM/PRODUCTS/20/POWERCONNECTIONSYSTEMS OR CONNECTPOSITRONIC.COM.

3. CONNECTORS ARE ROHS COMPLIANT PER ROHS DIRECTIVE 2002/95/EC OF 27 JAN 2003.

4. DIMENSIONS ARE IN INCHES [MILLIMETERS].

DATE	REV	REVISION RECORD	APP	DR	CK
12-12-06	NC	ECO 27159	RY	YK	TK
3-6-12	A	ECO 35326	COLM	MP	COLM

SK0201

<p>POSITRONIC INDUSTRIES INC. www.connectpositronic.com</p>		SCALE		DRAWN BY	
		N.T.S.		R. WILLIAMS	
DECIMAL TOL.		PCS SERIES		FSC# 28198	
± 0.015 [0.38]		PLA03M4BN0A1/AA			
ANGULAR TOL.		DRAWING NUMBER		REV.	
± 5°		SK0201		A	
DATE					
12-12-06					