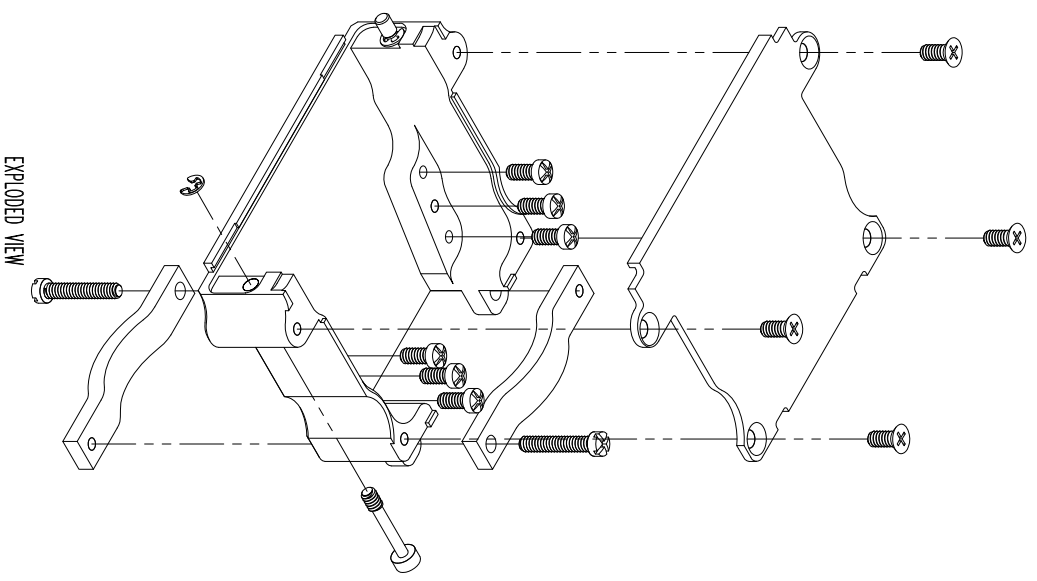
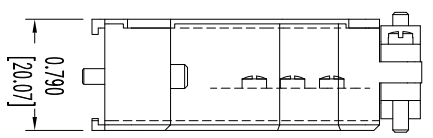
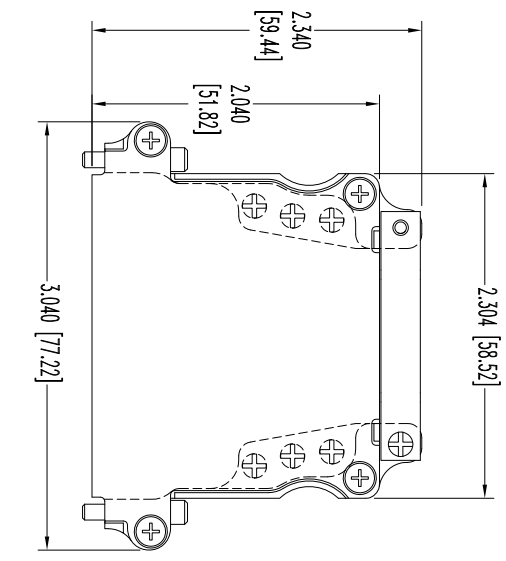
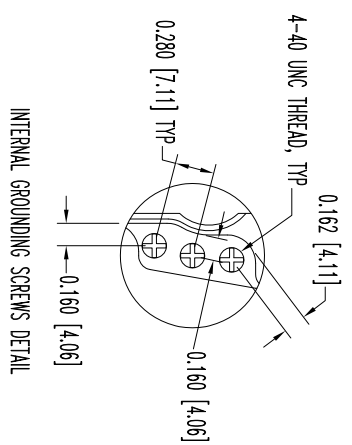
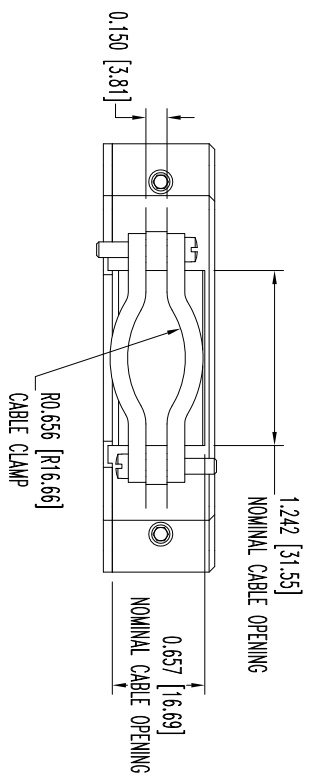


THIS DRAWING CONTAINS INFORMATION PROPRIETARY TO POSITRONIC INDUSTRIES INC. ANY REPRODUCTION OR USE OF THIS DRAWING WITHOUT THE WRITTEN PERMISSION OF POSITRONIC INDUSTRIES INC. IS STRICTLY PROHIBITED. THE USER BURN-O-VOLTS SUCH INFORMATION AT HIS OWN DISCRETION. RESULTS OBTAINED OR DAMAGES INCURRED FROM USE OF SUCH INFORMATION IN WHOLE OR IN PART.

SK12938

DATE	REV	REVISION RECORD	APP	DR	CK
11-2	NC	ECO 34671	COLB	ME	COLB
8-12	A	ECO 40433	COLB	BE	COLB



- NOTES:
1. MATERIAL AND FINISHES:
HOOD, COVER AND CABLE CLAMPS: ALUMINUM, ELECTROLESS NICKEL FINISH.
SCREWS: STEEL, NICKEL FINISH.
 2. DETAILED PRODUCT, MECHANICAL, AND ELECTRICAL INFORMATION IS AVAILABLE IN THE LATEST D-SUB ACCESSORY PRODUCT PUBLICATION. VISIT CONNECTPOSITRONIC.COM/PRODUCTS/56/D-SUBMINIATUREACCESSORIES OR CONNECTPOSITRONIC.COM.
 3. HOODS ARE COMPLIANT TO THE CURRENT ROHS DIRECTIVE.
 4. DIMENSIONS ARE IN INCHES [MILLIMETERS].



POSITRONIC INDUSTRIES INC.
www.connectpositronic.com FSCM 28198

DECIMAL TOL. ± 0.015 [0.38]	ANGULAR TOL. ± 5°	DATE 11-2-11	DRAWING NUMBER SK12938	REV. A
D SERIES		TITLE D104000ANE0/AA		
SCALE N.T.S.	DRAWN BY ME	APPROVED BY COLB		