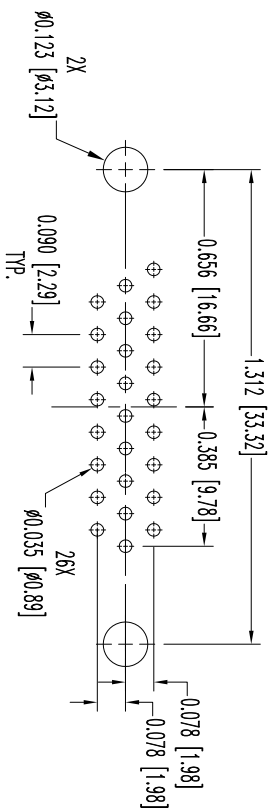
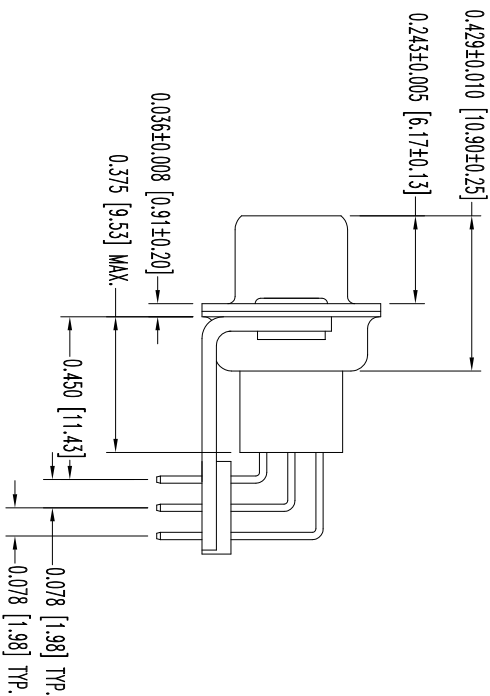
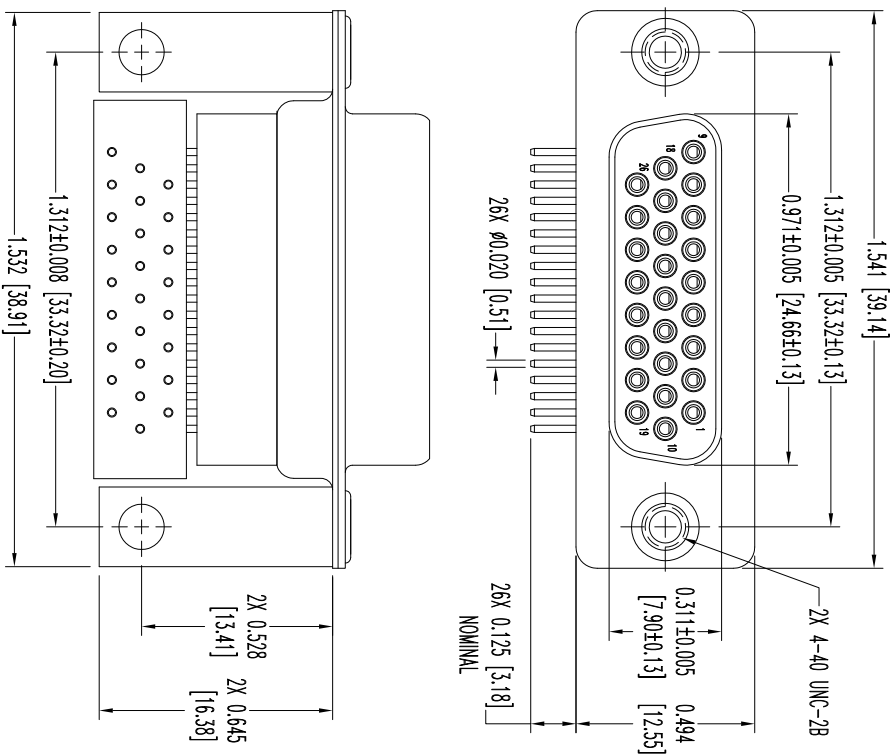


THIS DRAWING CONTAINS INFORMATION PROPRIETARY TO POSITRONIC AND ITS SUBSIDIARIES. POSITRONIC BELIEVES THE DATA ON THIS DRAWING TO BE RELIABLE. SINCE THE TECHNICAL INFORMATION IS GIVEN FREE OF CHARGE, THE USER ASSUMES ALL LIABILITY FOR THE PROPER USE OF THE INFORMATION AND RISK. POSITRONIC ASSUMES NO RESPONSIBILITY FOR RESULTS OBTAINED OR DAMAGES INCURRED FROM USE OF SUCH INFORMATION IN WHOLE OR IN PART.



CONTACT HOLE PATTERN

- NOTES:
1. MATERIALS AND FINISHES:  
INSULATORS: GLASS FILLED POLYESTER PER ASTM D5927, UL 94V-0, BLUE COLOR.  
CONTACTS: PRECISION MACHINED COPPER ALLOY, GOLD FLASH OVER NICKEL FINISH.  
SHELLS: STEEL, ZINC PLATE WITH CHROMATE SEAL.  
ALIGNMENT BAR: GLASS FILLED POLYESTER, COLOR BLACK.  
MOUNTING BRACKETS: BRASS, ZINC PLATE WITH CHROMATE SEAL.  
THREADED RIVETS: STEEL, ZINC PLATE WITH CHROMATE SEAL.
  2. DETAILED PRODUCT, ELECTRICAL, AND MECHANICAL INFORMATION IS AVAILABLE IN THE LATEST HIGH DENSITY D-SUB PRODUCT PUBLICATION. VISIT [CONNECTPOSITRONIC.COM/PRODUCTS/59/HIGHDENSITYD-SUBMINIATURE](http://CONNECTPOSITRONIC.COM/PRODUCTS/59/HIGHDENSITYD-SUBMINIATURE) OR [CONNECTPOSITRONIC.COM](http://CONNECTPOSITRONIC.COM).
  3. CONNECTORS ARE COMPLIANT TO THE CURRENT ROHS DIRECTIVE.
  4. DIMENSIONS ARE IN INCHES [MILLIMETERS].

| DATE  | REV | REVISION/RECORD | APP  | DR | CK   |
|-------|-----|-----------------|------|----|------|
| 10-25 | Nc  | ECO 34631       | COLF | BE | COLF |
| 6-10  | A   | ECO 39741       | COLF | BE | COLF |
|       |     |                 |      |    |      |
|       |     |                 |      |    |      |

SK12759



**POSITRONIC INDUSTRIES INC.**  
www.connectpositronic.com

FSCM 28198

|                |             |          |
|----------------|-------------|----------|
| DECIMAL TOL.   | SCALE       | DRAWN BY |
| ± 0.015 [0.38] | N.T.S.      | B. EVANS |
| ANGULAR TOL.   | APPROVED BY | COLF     |
| ± 5°           |             |          |

|           |                |
|-----------|----------------|
| DD SERIES | DD26SAR7000/AA |
|-----------|----------------|

|          |                |      |
|----------|----------------|------|
| DATE     | DRAWING NUMBER | REV. |
| 10-25-11 | SK12759        | A    |