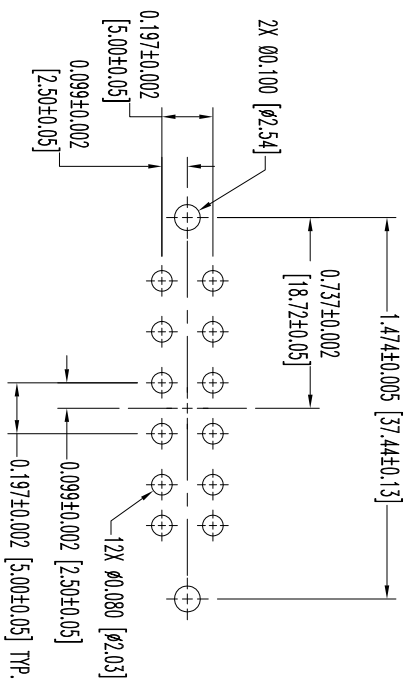
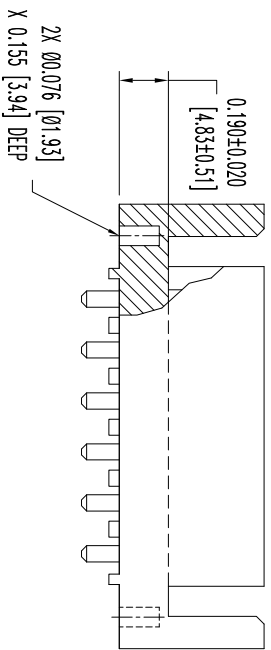
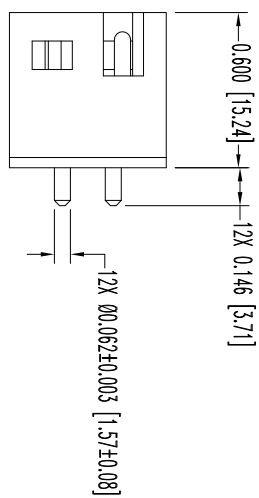
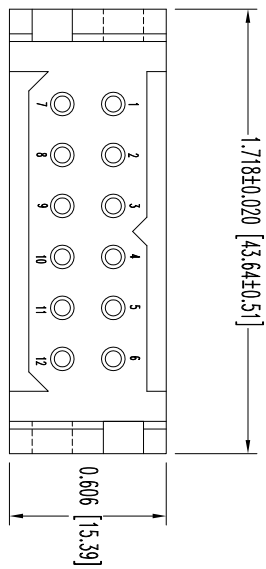



THIS DRAWING CONTAINS INFORMATION PROPRIETARY TO POSITRONIC AND ITS SUBSIDIARIES. POSITRONIC BELIEVES THE DATA ON THIS DRAWING TO BE RELIABLE, SINCE THE USER HAS ASSUMED RESPONSIBILITY FOR OBTAINING THE USER'S OWN INFORMATION REGARDING QUALITY, RELIABILITY AND RISK. POSITRONIC ASSUMES NO RESPONSIBILITY FOR RESULTS OBTAINED OR DAMAGES INCURRED FROM USE OF SUCH INFORMATION IN WHOLE OR IN PART.



CONTACT HOLE PATTERN

- NOTES:
1. MATERIALS AND FINISHES:
INSULATOR: GLASS FILLED POLYESTER, UL 94V-0, COLOR BLUE.
CONTACTS: PRECISION MACHINED COPPER ALLOY, GOLD FLASH OVER NICKEL FINISH.
 2. ELECTRICAL CHARACTERISTICS:
CONTACT CURRENT RATING: 25 AMPS PER UL 1977.
INITIAL CONTACT RESISTANCE: 0.0016 OHMS MAX. PER IEC 512-2, TEST 2b.
INSULATION RESISTANCE: 5 G OHMS PER IEC 512-2, TEST 3a, METHOD A.
WORKING VOLTAGE: 600 VAC.
 3. WORKING TEMPERATURE: -55C TO +125C.
 4. CONNECTORS ARE ROHS COMPLIANT PER ROHS DIRECTIVE 2002/95/EC OF 27 JAN 2003.
 5. DIMENSIONS ARE IN INCHES [MILLIMETERS].

 POSITRONIC INDUSTRIES INC. www.connectpositronic.com		SCALE		DRAWN BY	
		N.T.S.		YK	
DATE		DRAWING NUMBER		REV.	
11-6-08		SK9865		NC	
DECIMAL TOL.		PCS SERIES		FSCM 28198	
± 0.015 [0.38]		PLB12M300A1/AA		APPROVED BY	
ANGULAR TOL.		R WILLIAMS			
± 5°					

DATE	REV	REVISION RECORD	APP	DR	CK
11-6-08	NC	ECO 30212	RCW	YK	COLM

SK9865