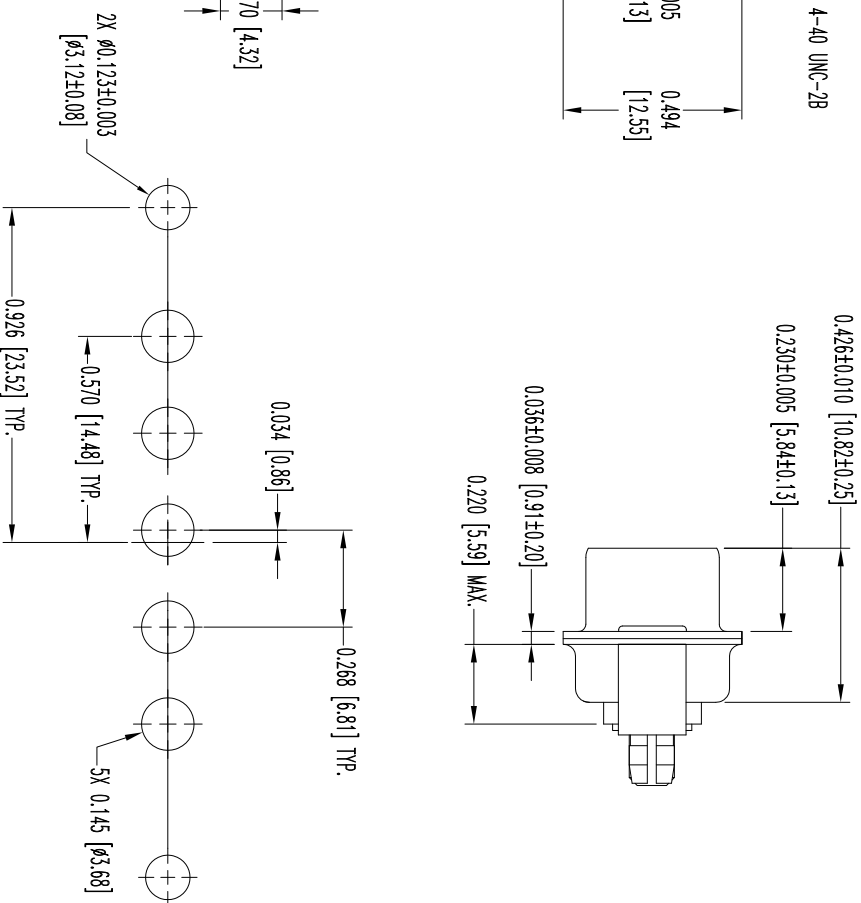
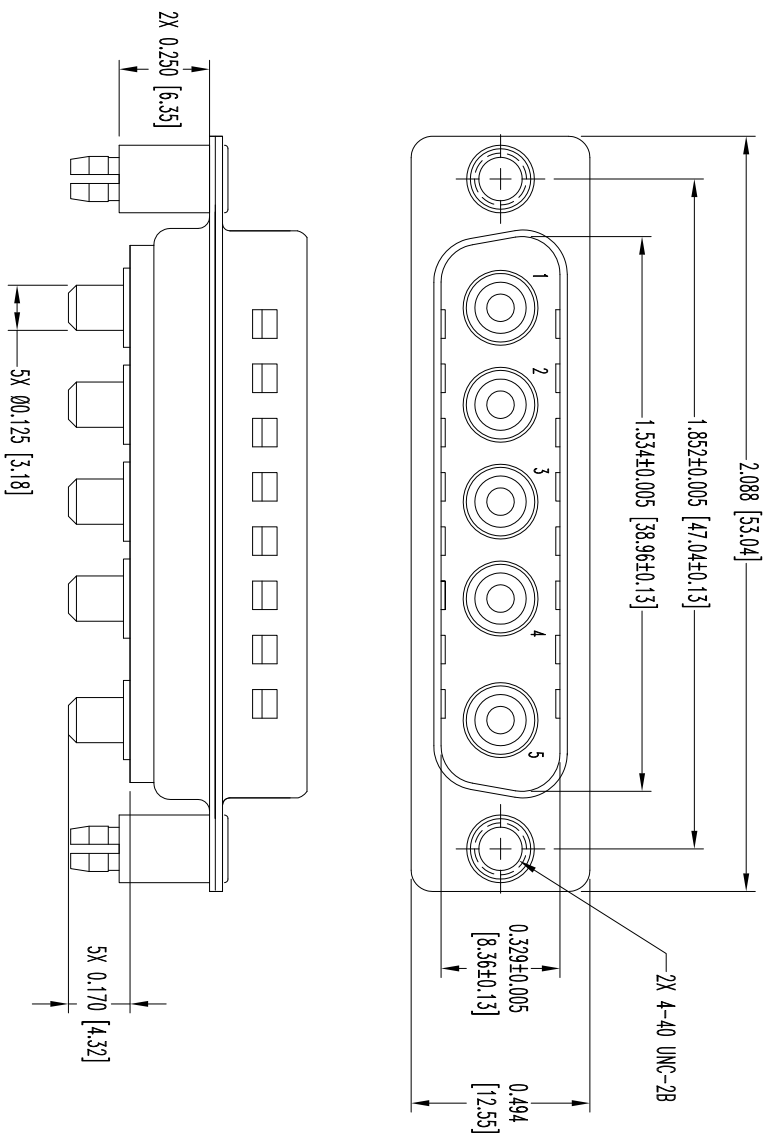


THIS DRAWING CONTAINS INFORMATION PROPRIETARY TO POSITRONIC AND ITS SUBSIDIARIES. POSITRONIC BELIEVES THE DATA ON THIS DRAWING TO BE RELIABLE. SINCE THE TECHNICAL INFORMATION IS GIVEN FREE OF CHARGE, THE USER ASSUMES ALL LIABILITY FOR THE USE OF THE INFORMATION AND RISK. POSITRONIC ASSUMES NO RESPONSIBILITY FOR RESULTS OBTAINED OR DAMAGES INCURRED FROM USE OF SUCH INFORMATION IN WHOLE OR IN PART.



CONTACT HOLE PATTERN

- NOTES:
1. MATERIALS AND FINISHES:
INSULATOR: GLASS FILLED POLYESTER PER ASTM-D5927, UL 94V-0, COLOR: BLUE.
CONTACTS: PRECISION MACHINED COPPER ALLOY, GOLD FLASH OVER NICKEL PLATE.
SHEETS: STEEL, TIN PLATE AND DIMPLED.
PUSH-ON FASTENERS: PHOSPHOR BRONZE WITH TIN PLATE.
 2. DETAILED PRODUCT, MECHANICAL, AND ELECTRICAL INFORMATION IS AVAILABLE IN THE LATEST STANDARD DENSITY COMBO-D PRODUCT PUBLICATION. VISIT CONNECTPOSITRONIC.COM/PRODUCTS/1/STANDARDENSITYCOMBO-D OR CONNECTPOSITRONIC.COM.
 3. CONNECTORS ARE COMPLIANT TO THE CURRENT ROHS DIRECTIVE.
 4. DIMENSIONS ARE IN INCHES [MILLIMETERS].

DATE	REV	REVISION RECORD	APP	DR	CK
11-11	NC	ECO 34735	COLE	LO	COLE
11-4	A	ECO 41230	TK	BE	COLE

SK13153

		POSITRONIC INDUSTRIES INC. www.connectpositronic.com		FSCM 28198		
		CBD SERIES	SCALE N.T.S.	DRAWN BY L. OWENS	APPROVED BY COLE	DATE 11-11-11
DECIMAL TOL. ± 0.015 [0.38]	ANGULAR TOL. $\pm 5^\circ$	TITLE CBD5W5M37S600Z/AA				REV. A