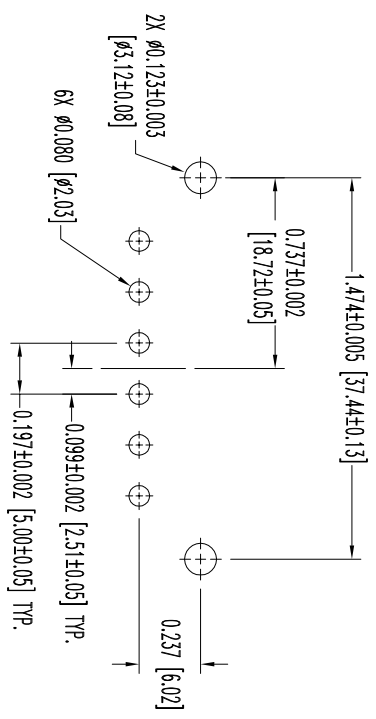
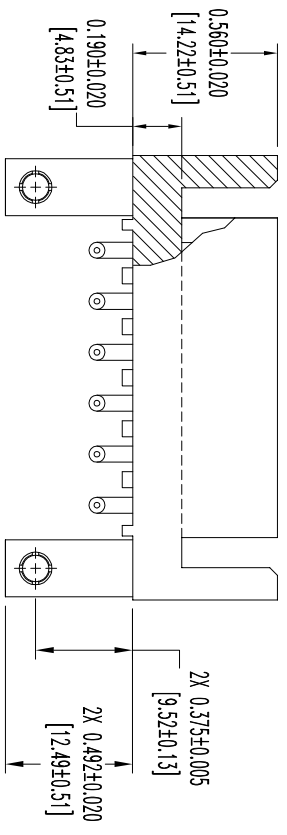
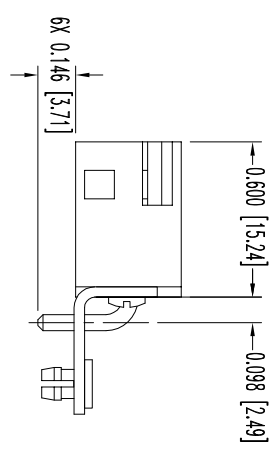
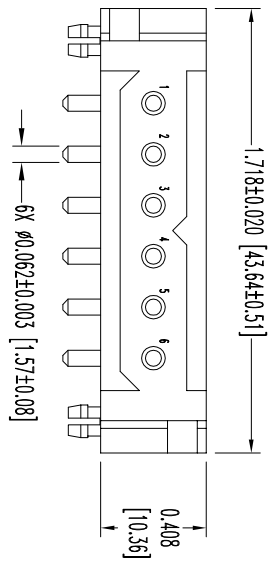


THIS DRAWING CONTAINS INFORMATION PROPRIETARY TO POSITRONIC INDUSTRIES INC. THE DATA ON THIS DRAWING TO BE RELIABLE SINCE THE USER EMPLOYS SUCH INFORMATION AT HIS OWN DISCRETION. RESULTS OBTAINED OR DAMAGES INCURRED FROM USE OF SUCH INFORMATION IN WHOLE OR IN PART.



CONTACT HOLE PATTERN

NOTES:

1. MATERIALS AND FINISHES:

INSULATOR: GLASS FILLED POLYESTER, UL 94V-0, COLOR: BLUE.

CONTACTS: PRECISION MACHINED COPPER ALLOY, GOLD FLASH OVER NICKEL PLATE.

MOUNTING BRACKETS: BRASS WITH TIN PLATE.

PUSH-ON FASTENERS: BERYLLIUM COPPER WITH TIN PLATE.

MOUNTING SCREWS: STEEL WITH TIN PLATE.

2. DETAILED PRODUCT, MECHANICAL, AND ELECTRICAL INFORMATION IS AVAILABLE IN THE LATEST PCS PRODUCT PUBLICATION. VISIT [CONNECTPOSITRONIC.COM/PRODUCTS/20/POWERCONNECTIONSYSTEMS](http://CONNECTPOSITRONIC.COM/PRODUCTS/20/POWERCONNECTIONSYSTEMS) OR [CONNECTPOSITRONIC.COM](http://CONNECTPOSITRONIC.COM).

3. CONNECTORS ARE COMPLIANT TO THE CURRENT ROHS DIRECTIVE.

4. DIMENSIONS ARE IN INCHES [MILLIMETERS].

DATE	REV	REVISION/RECORD	APP	DR	CK
3-2	NC	ECO 33746	COLB	BS	COLB
2-6	A	ECO 38413	COLB	BE	COLB
1-3					

SK12223



**POSITRONIC INDUSTRIES INC.**  
www.connectpositronic.com

FSCM 28198

DECIMAL TOL. ± 0.015 [0.38]	SCALE N.T.S.	DRAWN BY B SHELLARDY
ANGULAR TOL. ± 5°	PCS SERIES	APPROVED BY COLB
DATE 3-02-11	TITLE PLA06M4BN0A1/AA	REV. A
	DRAWING NUMBER SK12223	