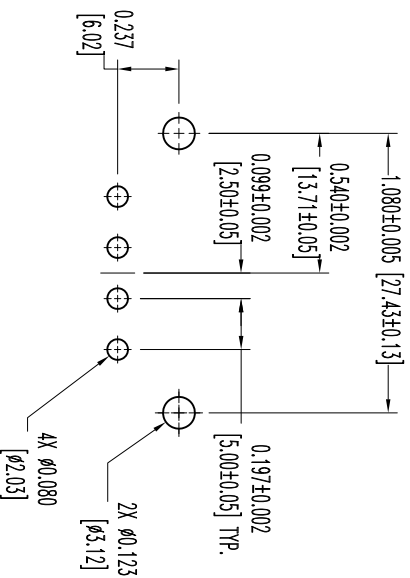
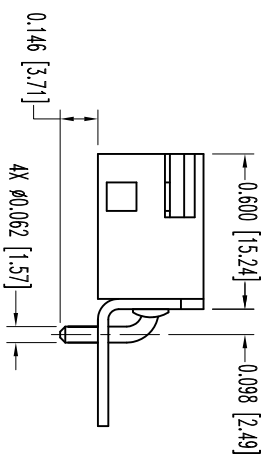
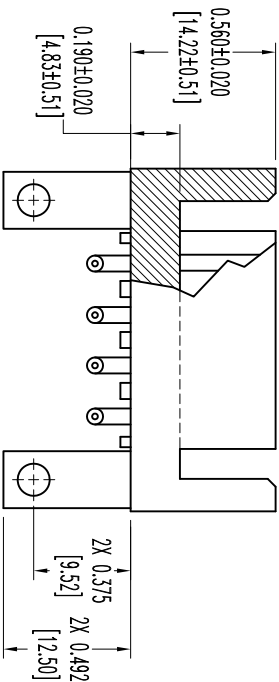
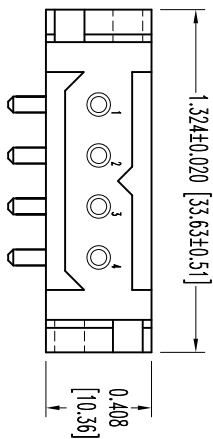


THIS DRAWING CONTAINS INFORMATION PROPRIETARY TO POSITRONIC AND ITS SUBSIDIARIES. POSITRONIC BELIEVES THE DATA ON THIS DRAWING TO BE RELIABLE, SINCE THE USER HAS ASSUMED THE RESPONSIBILITY FOR OBTAINING THE RESULTS OBTAINED OR DAMAGES INCURRED FROM USE OF SUCH INFORMATION IN WHOLE OR IN PART.



CONTACT HOLE PATTERN

| DATE | REV | REVISION RECORD | APP | DR | CK |
|---------|-----|-----------------|------|----|------|
| 10-9-06 | NC | ECO 26825 | RW | YK | TK |
| 3-7-12 | A | ECO 35335 | COLF | MP | COLF |
| | | | | | |
| | | | | | |

SK8039

NOTES:

1. MATERIALS AND FINISHES:
INSULATOR: GLASS FILLED POLYESTER, UL 94V-0, COLOR BLUE.
CONTACTS: PRECISION MACHINED COPPER ALLOY, GOLD FLASH OVER NICKEL PLATE.
MOUNTING BRACKETS: BRASS, TIN PLATE.
2. MOUNTING SCREWS: STEEL, TIN PLATE.
PRODUCT PUBLICATION, MECHANICAL, AND ELECTRICAL INFORMATION IS AVAILABLE IN THE LATEST POWER CONNECTION SYSTEMS
3. CONNECTORS ARE ROHS COMPLIANT PER ROHS DIRECTIVE 2002/95/EC OF 27 JAN 2003.
4. DIMENSIONS ARE IN INCHES [MILLIMETERS].

| | | | | | |
|--------------------------------|-------------------------|--|-----------------|----------------|--|
| | | POSITRONIC INDUSTRIES INC. www.connectpositronic.com | | FSC# 28198 | |
| | | PCS SERIES | SCALE N.T.S. | DRAWN BY YK | |
| DECIMAL TOL. ± 0.015 [0.38] | TITLE PLA04M4B0A1/AA | APPROVED BY R. WILLIAMS | | | |
| ANGULAR TOL. ± 5° | DATE 10-9-06 | DRAWING NUMBER SK8039 | REV. A | | |