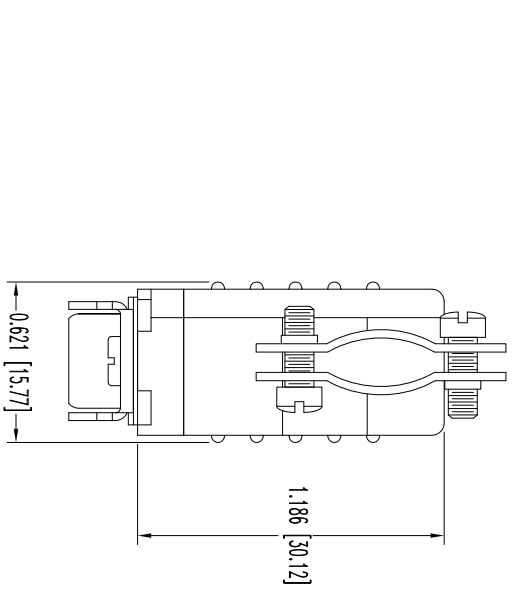
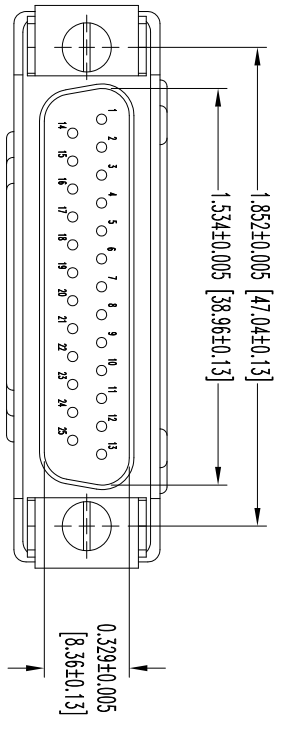
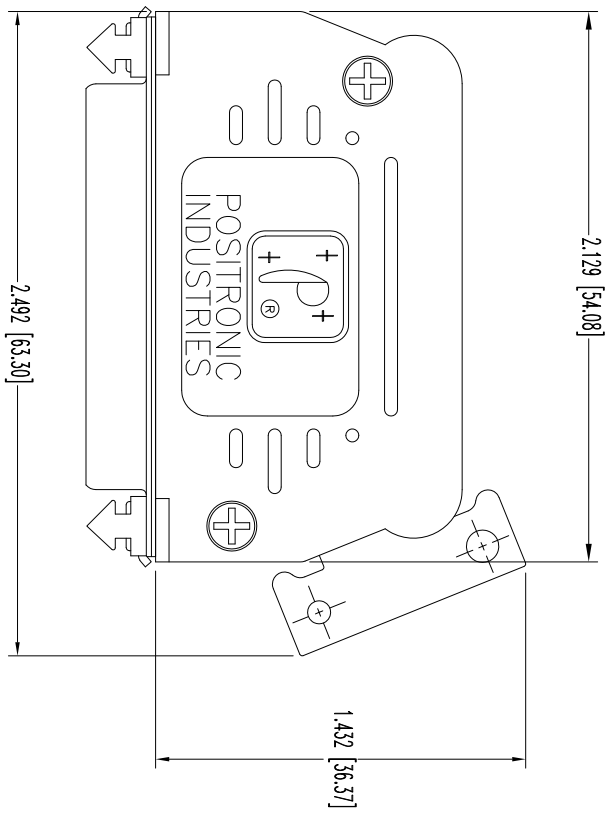


THIS DRAWING CONTAINS INFORMATION PROPRIETARY TO POSITRONIC AND IS SUBJECT TO THE STANDARD BELIEFS, TERMS AND CONDITIONS OF SALE AND THE POSITRONIC TECHNICAL INFORMATION IS GIVEN FREE OF CHARGE. THE USER EMPLOY'S SUCH INFORMATION AT HIS OWN DISCRETION. POSITRONIC ASSUMES NO LIABILITY FOR ANY DAMAGE, LOSS, INJURY OR DAMAGES INCURRED FROM USE OF SUCH INFORMATION IN WHOLE OR IN PART.



25X MALE CONTACT
ENLARGED

NOTES:

1. MATERIALS AND FINISHES:
INSULATOR: GLASS FILLED DAP PER ASTM-D5948, SDG-F, UL 94V-0, COLOR: GREEN.
CONTACTS: PRECISION MACHINED COPPER ALLOY, GOLD FLASH OVER NICKEL PLATE.
SHELLS: STEEL, ZINC PLATE WITH CHROMATE SEAL.
HOOD: GLASS FILLED POLYESTER, UL 94V-0, COLOR: BLACK.
CABLE CLAMPS: STEEL WITH NICKEL PLATE.
LOCK TABS: STEEL WITH NICKEL PLATE.
2. DETAILED PRODUCT, MECHANICAL, AND ELECTRICAL INFORMATION IS AVAILABLE IN THE LATEST STANDARD DENSITY D-SUB PRODUCT PUBLICATION. VISIT CONNECTPOSITRONIC.COM/PRODUCTS/45/STANDARDENSITYD-SUBMINIATURE OR CONNECTPOSITRONIC.COM.
3. DIMENSIONS ARE IN INCHES [MILLIMETERS].

SK14600

DATE	REV	REVISION RECORD	APP	DR	CK
11-12	NC	ECO 37717	TK	BS	TK

POSITRONIC INDUSTRIES INC.
www.connectpositronic.com

FSCM 28198

DECIMAL TOL. ± 0.015 [0.35]	ANGULAR TOL. ± 5°	RD SERIES	SCALE N.T.S.	DRAWN BY B SHELLBUDY
TITLE RD25M10LV30		DATE 11-13-12	DRAWING NUMBER SK14600	APPROVED BY T. KEPLER
		REV. NC		