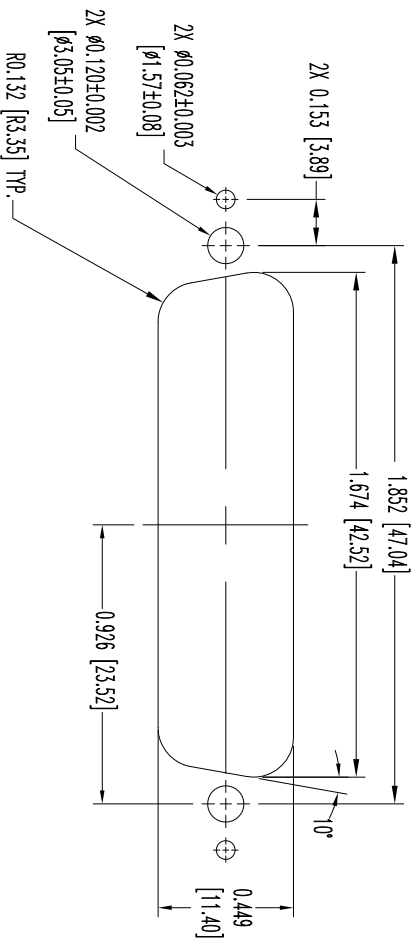
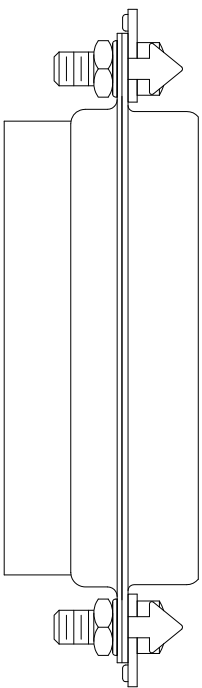
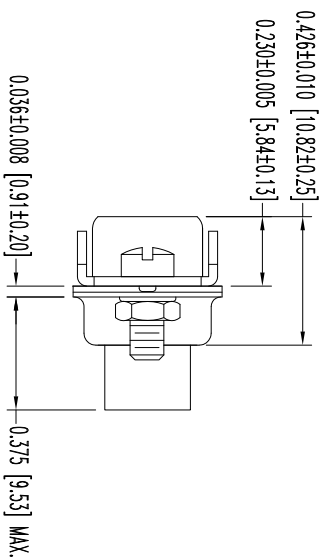
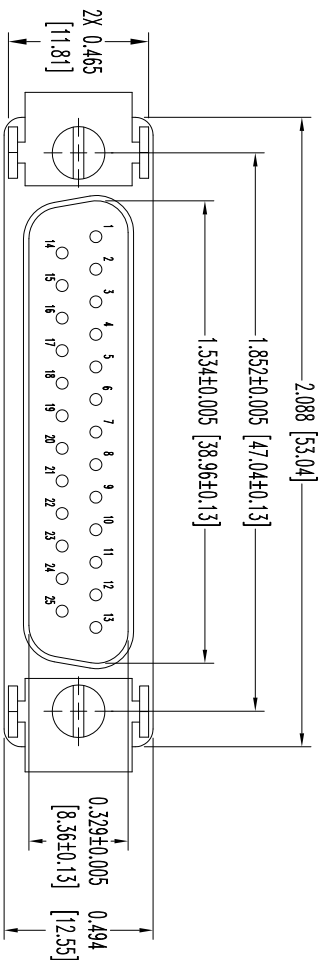
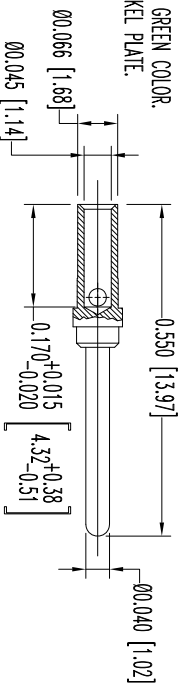


THIS DRAWING CONTAINS INFORMATION PROPRIETARY TO POSITRONIC AND ITS SUBSIDIARIES. POSITRONIC BELIEVES THE DATA ON THIS DRAWING TO BE RELIABLE. SINCE THE TECHNICAL INFORMATION IS GIVEN FREE OF CHARGE, THE USER ASSUMES ALL LIABILITY FOR THE USE OF THIS INFORMATION AND RISK. POSITRONIC ASSUMES NO RESPONSIBILITY FOR RESULTS OBTAINED OR DAMAGES INCURRED FROM USE OF SUCH INFORMATION IN WHOLE OR IN PART.



PANEL CUTOUT



25X MALE CONTACT

ENLARGED

NOTES:

1. MATERIALS AND FINISHES:
INSULATOR: GLASS FILLED DAP PER ASTM-D-5948, SD6-F, UL 94V-0, GREEN COLOR.
CONTACTS: PRECISION MACHINED COPPER ALLOY, GOLD FLASH OVER NICKEL PLATE.
SHELLS: STEEL, CADMIUM PLATE WITH CHROMATE SEAL.
LOCK TAB: STEEL, NICKEL PLATE.
LOCKWASHERS: BRONZE, ZINC PLATE WITH CHROMATE SEAL.
HEX NUTS: BRASS, ZINC PLATE WITH CHROMATE SEAL.
SCREWS: BRASS, ZINC PLATE WITH CHROMATE SEAL.
2. DETAILED PRODUCT, ELECTRICAL, AND MECHANICAL INFORMATION IS AVAILABLE IN THE LATEST STANDARD DENSITY D-SUB PRODUCT PUBLICATION. VISIT CONNECTPOSITRONIC.COM/PRODUCTS/45/STANDARDENSITYD-SUBMINIATURE OR CONNECTPOSITRONIC.COM.
3. DIMENSIONS ARE IN INCHES [MILLIMETERS].

DATE	REV	REVISION RECORD	APP	DR	CK
5-24-12	NC	ECO 35895	COLF	BS	COLF

SK14111

<p>POSITRONIC INDUSTRIES INC. www.connectpositronic.com</p>		RD SERIES		SCALE	
		RD SERIES		N.T.S.	
DATE		DRAWING NUMBER		REV.	
5-24-12		SK14111		NC	
DECIMAL TOL.		TITLE		DRAWN BY	
± 0.015 [0.38]		RD25M100V5C		B SHELLBY	
ANGULAR TOL.				APPROVED BY	
± 5°				COLE	
				FSCM 28198	