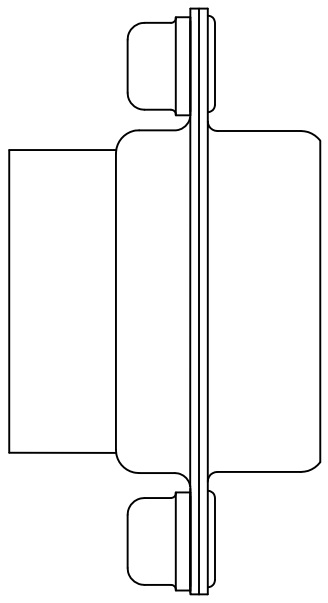
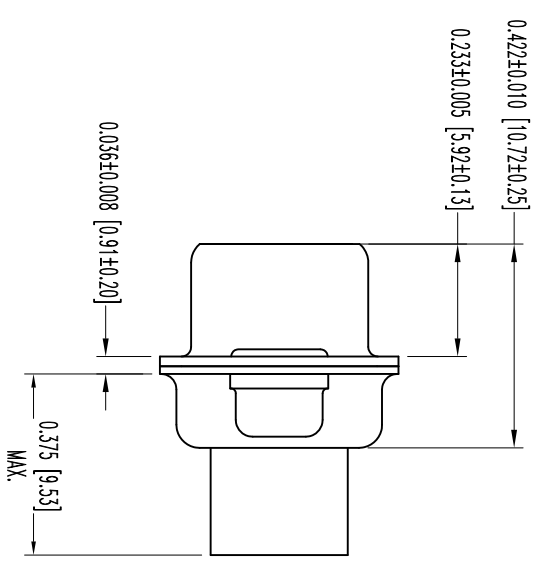
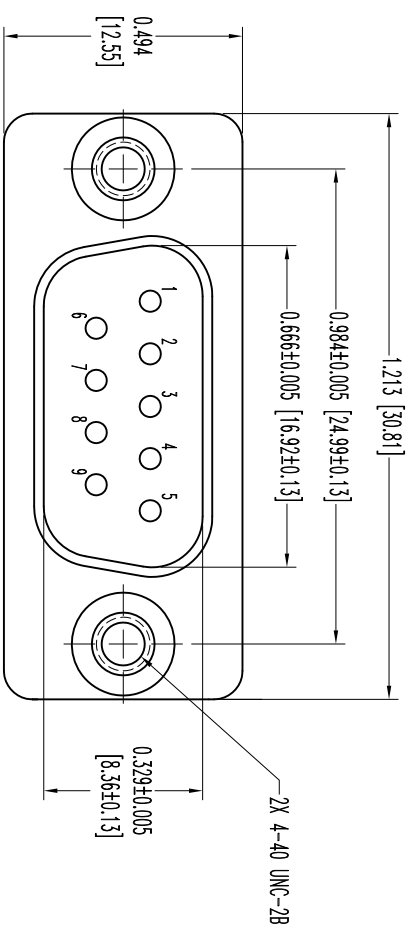


THIS DRAWING CONTAINS INFORMATION PROPRIETARY TO POSITRONIC INDUSTRIES INC. THE DATA ON THIS DRAWING TO BE RELEASED SINCE THE USER EMPLOYS SUCH INFORMATION AT HIS OWN DISCRETION. RESULTS OBTAINED OR DAMAGES INCURRED FROM USE OF SUCH INFORMATION IN WHOLE OR IN PART.

SK8684

DATE	REV	REVISION RECORD	APP	DR	CK
6-28	NC	ECO 28092	TK	YK	TK
2-14	A	ECO 33672	COLB	BE	COLB



NOTES:

1. MATERIALS AND FINISHES:  
INSULATOR: GLASS FILLED DAP PER ASTM-D-5948, SDG-F, UL 94V-0, GREEN COLOR.  
SHELLS: STEEL, ZINC PLATE WITH CHROMATE SEAL.  
CLINCH NUTS: STEEL, ZINC PLATE WITH CHROMATE SEAL.
2. DETAILED PRODUCT, ELECTRICAL, AND MECHANICAL INFORMATION IS AVAILABLE IN THE LATEST STANDARD DENSITY D-SUB PRODUCT PUBLICATION. VISIT [CONNECTPOSTRONIC.COM/PRODUCTS/45/STANDARDENSITYD-SUBMINIATURE](http://CONNECTPOSTRONIC.COM/PRODUCTS/45/STANDARDENSITYD-SUBMINIATURE) OR [CONNECTPOSTRONIC.COM](http://CONNECTPOSTRONIC.COM).
3. DIMENSIONS ARE IN INCHES [MILLIMETERS].



**POSITRONIC INDUSTRIES INC.**  
www.connectpositronic.com FSC# 28198

DECIMAL TOL. ± 0.015 [0.38]	RD SERIES	SCALE N.T.S.	DRAWN BY YK
ANGULAR TOL. ± 5°	TITLE RD9MOS5000	APPROVED BY T. KEPLER	DATE 6-26-07
	DRAWING NUMBER SK8684	REV. A	