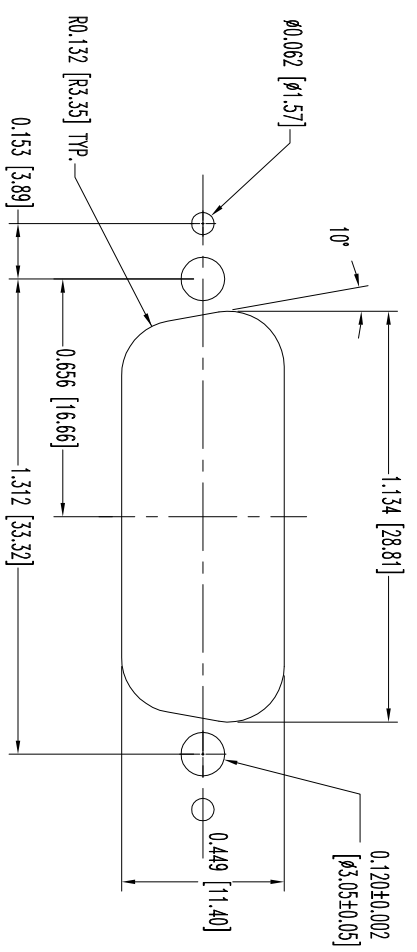
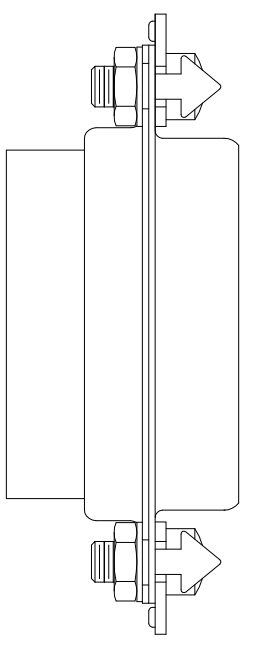
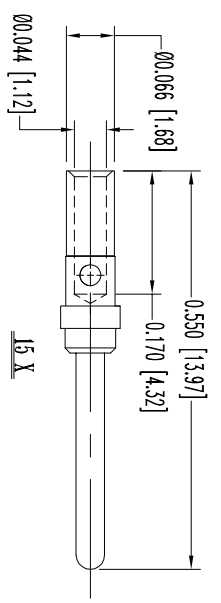
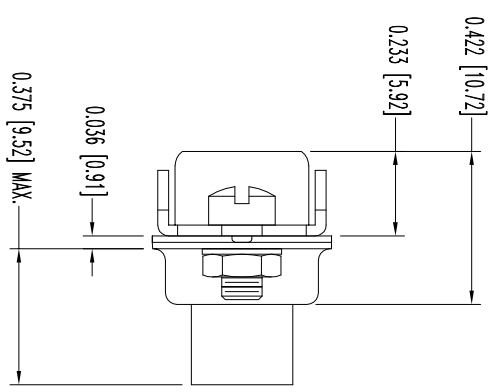
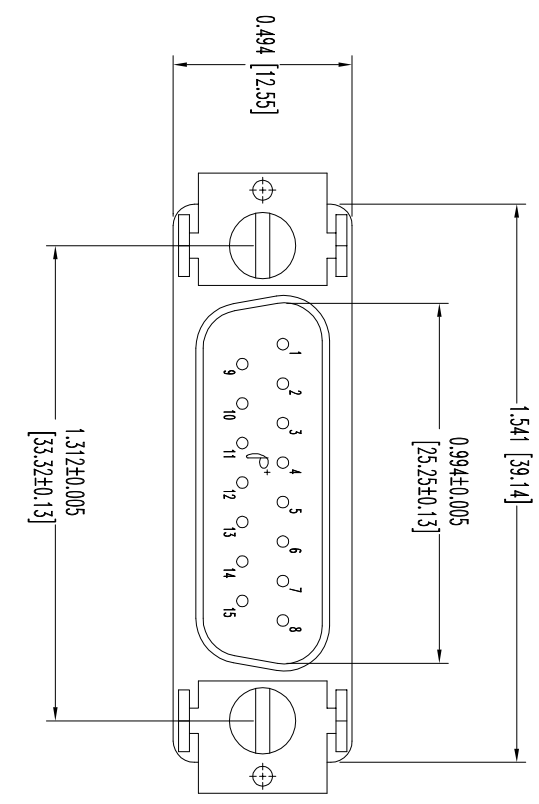


THIS DRAWING CONTAINS INFORMATION PROPRIETARY TO POSITRONIC INDUSTRIES INC. THE DATA ON THIS DRAWING IS GIVEN FREE OF CHARGE. THE USER EMPLOYS SUCH INFORMATION AT HIS OWN DISCRETION. POSITRONIC INDUSTRIES INC. ASSUMES NO LIABILITY FOR RESULTS OBTAINED OR DAMAGES INCURRED FROM USE OF SUCH INFORMATION IN WHOLE OR IN PART.



- NOTES:
1. MATERIALS AND FINISHES:  
INSULATOR: GLASS FILLED DAP PER ASTM-D-5948, UL 94V-0, GREEN COLOR.  
SHELLS: STEEL, CADMIUM PLATE WITH DICHROMATE SEAL.  
LOCK TAB: STEEL WITH NICKEL PLATE.  
CONTACTS: BRASS, GOLD FLASH OVER NICKEL.
  2. ELECTRICAL CHARACTERISTICS:  
INSULATOR RESISTANCE: 5 G OHMS.  
TEMPERATURE RANGE: -55°C TO +125°C.
  3. APPROXIMATE WEIGHT OF CONNECTOR: 11.27g [0.40oz]
  4. DIMENSIONS ARE IN INCHES [MILLIMETERS].

**POSITRONIC INDUSTRIES INC.**  
www.connectpositronic.com  
FSCM 28198

DATE	10-11-99	DRAWING NUMBER	SK3204	REV.	NC
TITLE	RD15M100V5C				
RD SERIES	RD SERIES				
SCALE	N.T.S.				
DRAWN BY	T. KEPLER				
APPROVED BY					
DECIMAL TOL.	± 0.015 [0.38]				
WIP #	20569				
ANGULAR TOL.	± 5°				

SK3204

DATE	REV	REVISION/RECORD	APP	DR	CK
10-11-99	NC	ECO 15613		TK	