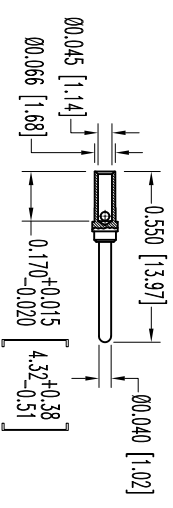
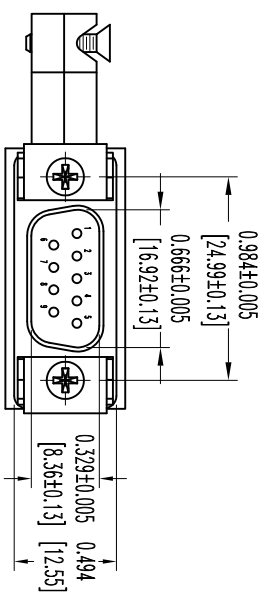
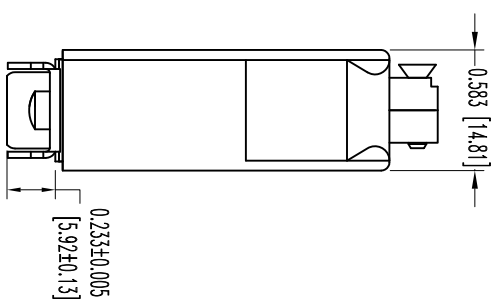
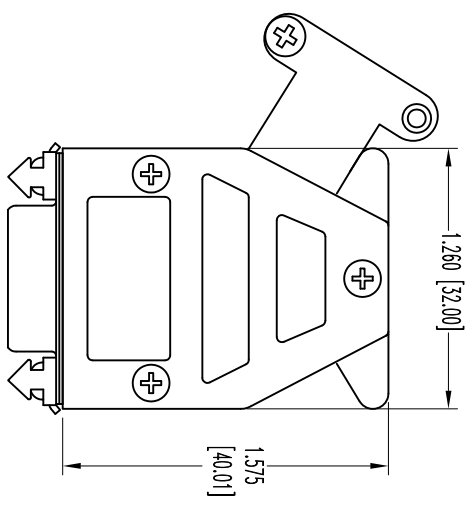


THIS DRAWING CONTAINS INFORMATION PROPRIETARY TO CONNECTPOSTRONIC AND IS SUBJECT TO THE TERMS AND CONDITIONS OF THE LICENSE AGREEMENT. THE USER EMPLOYER'S SUCH INFORMATION AT HIS OWN DISCRETION. RESULTS OBTAINED OR DAMAGES INCURRED FROM USE OF SUCH INFORMATION IN WHOLE OR IN PART.



9X MALE CONTACT
ENLARGED

- NOTES:
1. MATERIALS AND FINISHES:
INSULATOR: GLASS FILLED DAP PER ASTM-D-5948, SD6-F, UL 94V-0, GREEN COLOR.
CONTACTS: PRECISION MACHINED COPPER ALLOY, GOLD FLASH OVER NICKEL PLATE.
SHELLS: STEEL, ZINC PLATED WITH CHROMATE SEAL.
HOOD AND CABLE CLAMPS: ZINC, DIE CAST.
COVER SCREWS AND CABLE CLAMP SCREWS: STEEL, NICKEL PLATE.
LOCK TABS: STEEL, NICKEL PLATE.
LOCK TAB SCREWS: STEEL, ZINC PLATE WITH CHROMATE SEAL.
 2. DETAILED PRODUCT, ELECTRICAL, AND MECHANICAL INFORMATION IS AVAILABLE IN THE LATEST STANDARD DENSITY D-SUB PRODUCT PUBLICATION. VISIT CONNECTPOSTRONIC.COM/PRODUCTS/45/STANDARDENSITYD-SUBMINIATURE OR CONNECTPOSTRONIC.COM.
 3. DIMENSIONS ARE IN INCHES [MILLIMETERS].

DATE	REV	REVISION RECORD	APP	DR	OK
1-19	NC	ECO 35038	COLF	BS	COLF

SK13446



POSITRONIC INDUSTRIES INC.
www.connectpositronic.com

ANGULAR TOL. ± 5°	DECIMAL TOL. ± 0.015 [0.38]	SCALE N.T.S.	DRAWN BY B SHELLADY	DATE 1-19-12	DRAWING NUMBER SK13446	REV. NC
TITLE RD9M10GT30		RD SERIES		FSC# 28198		