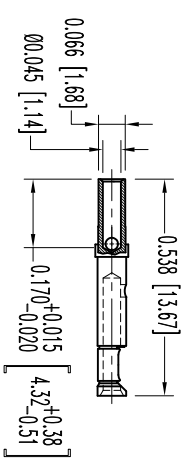
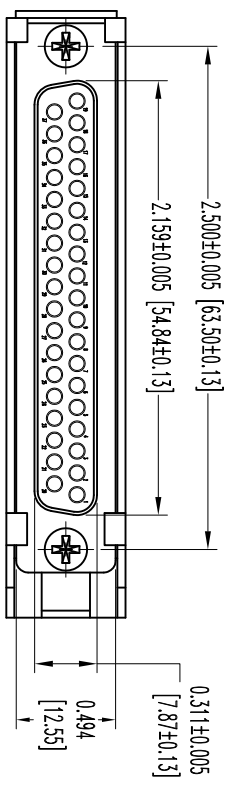
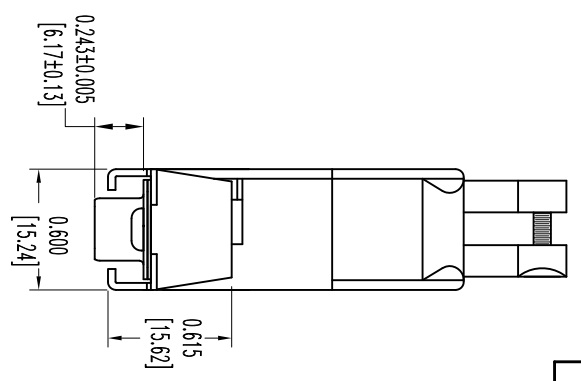
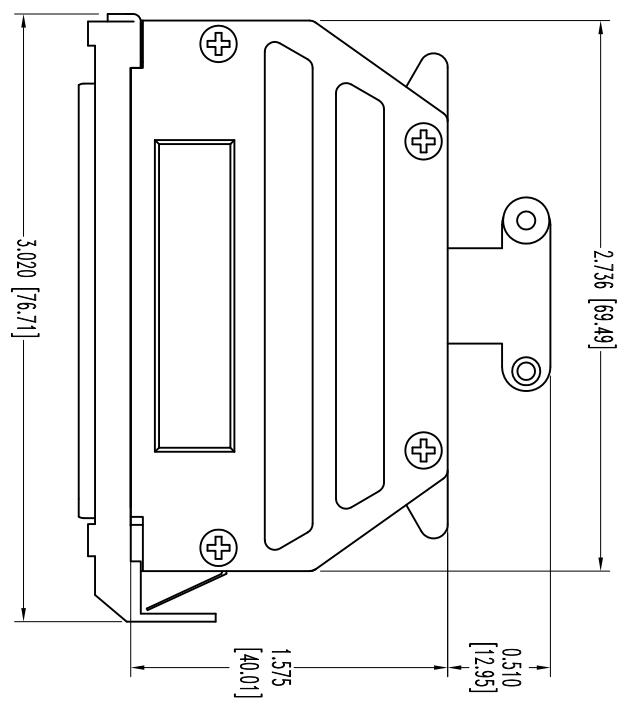


THIS DRAWING CONTAINS INFORMATION PROPRIETARY TO POSITRONIC INDUSTRIES INC. THE DATA ON THIS DRAWING TO BE RELEASED SINCE THE USER EMPLOY'S SUCH INFORMATION AT HIS OWN DISCRETION RESULTS OBTAINED OR DAMAGES INCURRED FROM USE OF SUCH INFORMATION IN WHOLE OR IN PART.



37X FEMALE CONTACT  
ENLARGED

- NOTES:
1. MATERIALS AND FINISHES:  
INSULATOR: GLASS FILLED DAP PER ASTM-D-5948, SDG-F, UL 94V-0, GREEN COLOUR.  
CONTACTS: PRECISION MACHINED COPPER ALLOY GOLD FLASH OVER NICKEL PLATE.  
SHELLS: STEEL, ZINC PLATE WITH CHROMATE SEAL.  
HOOD AND CABLE CLAMPS: ZINC, DIE CAST.  
LOCKARM: STEEL, NICKEL PLATE.  
LOCKARM SPRING: BERYLLIUM COPPER, NICKEL PLATE.  
COVER SCREWS: STEEL, NICKEL PLATE.  
SCREWS: STEEL, ZINC PLATE WITH CHROMATE SEAL OR STEEL WITH NICKEL PLATE.
  2. DETAILED PRODUCT, ELECTRICAL, AND MECHANICAL INFORMATION IS AVAILABLE IN THE LATEST STANDARD DENSITY D-SUB PRODUCT PUBLICATION. VISIT [CONNECTPOSITRONIC.COM/PRODUCTS/45/STANDARD-DENSITY-D-SUBMINIATURE](http://CONNECTPOSITRONIC.COM/PRODUCTS/45/STANDARD-DENSITY-D-SUBMINIATURE) OR [CONNECTPOSITRONIC.COM](http://CONNECTPOSITRONIC.COM).
  3. DIMENSIONS ARE IN INCHES [MILLIMETERS].

DATE	REV	REVISION RECORD	APP	DR	CK
11-1	NC	ECO 34669	COL	BS	COL

SK12928



**POSITRONIC INDUSTRIES INC.**  
[www.connectpositronic.com](http://www.connectpositronic.com)

FSC# 28198

ANGULAR TOL. ± 5°	DECIMAL TOL. ± 0.015 [0.38]	RD SERIES	SCALE N.T.S.	DRAWN BY B SHELLARDY	DATE 11-1-11	DRAWING NUMBER SK12928	REV. NC
TITLE RD37S10GV10		APPROVED BY COL					