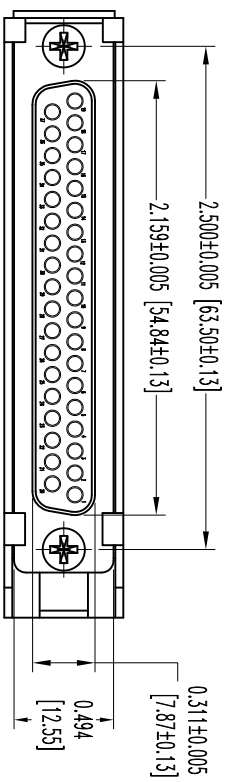
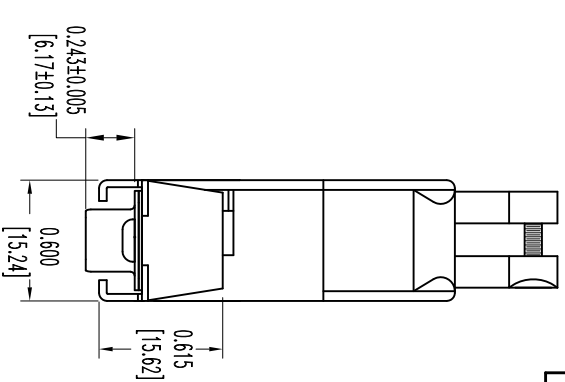
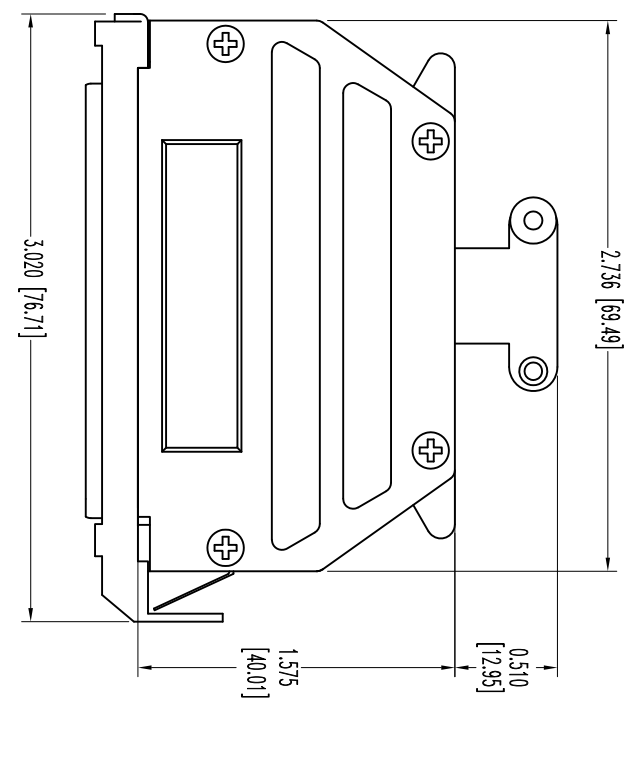


THIS DRAWING CONTAINS INFORMATION PROPRIETARY TO POSITRONIC AND ITS SUBSIDIARIES. POSITRONIC BELIEVES THE DATA ON THIS DRAWING TO BE RELIABLE, SINCE THE USER HAS TAKEN THE NECESSARY PRECAUTIONS TO VERIFY THE USER HAS TAKEN SUCH PRECAUTIONS AND ASSUMES OWN OPERATION AND RISK. POSITRONIC ASSUMES NO RESPONSIBILITY FOR RESULTS OBTAINED OR DAMAGES INCURRED FROM USE OF SUCH INFORMATION IN WHOLE OR IN PART.




NOTES:

1. MATERIALS AND FINISHES:  
 INSULATOR: GLASS FILLED DAP PER ASTM-D5948, S06-F, UL 94V-0, COLOR: GREEN.  
 SHELLS: STEEL, ZINC PLATE WITH CHROMATE SEAL.  
 HOOD AND CABLE CLAMPS: DIE CAST ZINC.  
 LOCKARM: STEEL WITH NICKEL PLATE.  
 LOCKARM SPRING: BERYLLIUM COPPER WITH NICKEL PLATE.  
 COVER SCREWS: STEEL WITH NICKEL PLATE.  
 MOUNTING SCREWS: STEEL, ZINC PLATE WITH CHROMATE SEAL.
2. DETAILED PRODUCT, MECHANICAL, AND ELECTRICAL INFORMATION IS AVAILABLE IN THE LATEST STANDARD DENSITY D-SUB PRODUCT PUBLICATION. VISIT [CONNECTPOSITRONIC.COM/PRODUCTS/45/STANDARDENSITYD-SUBMINIATURE](http://CONNECTPOSITRONIC.COM/PRODUCTS/45/STANDARDENSITYD-SUBMINIATURE) OR [CONNECTPOSITRONIC.COM](http://CONNECTPOSITRONIC.COM).
3. DIMENSIONS ARE IN INCHES [MILLIMETERS].

| DATE | REV | REVISION RECORD | APP  | DR | OK   |
|------|-----|-----------------|------|----|------|
| 7-12 | NC  | ECO 34229       | COLM | BS | COLM |
|      |     |                 |      |    |      |
|      |     |                 |      |    |      |

SK12458

|   |                      |   |                 |                        |                     |                      |
|---|----------------------|---|-----------------|------------------------|---------------------|----------------------|
|  |                      | <b>POSITRONIC INDUSTRIES INC.</b><br><a href="http://www.connectpositronic.com">www.connectpositronic.com</a> |                 | <b>FSCM 28198</b>      |                     |                      |
|   |                      | RD SPRINGS  | SCALE<br>N.T.S. | DRAWN BY<br>B SHELLIDY | APPROVED BY<br>COLE | TITLE<br>RD37S00GV10 |
| DECIMAL TOL.<br>±   | ANGULAR TOL.<br>± 5° | DRAWING NUMBER<br>SK12458   | REV.<br>NC      |                        |                     |                      |