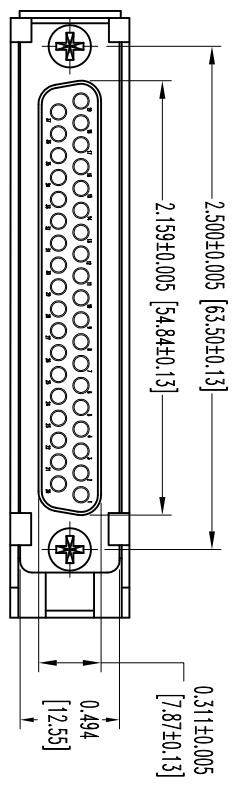
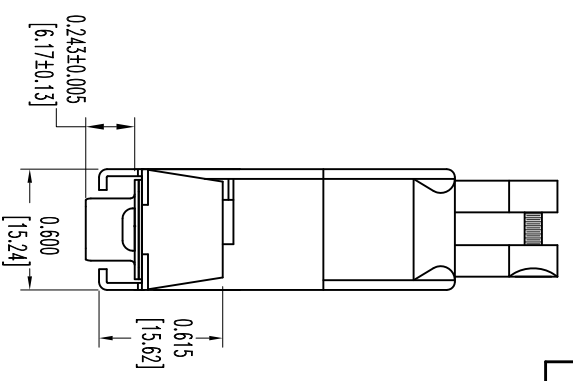
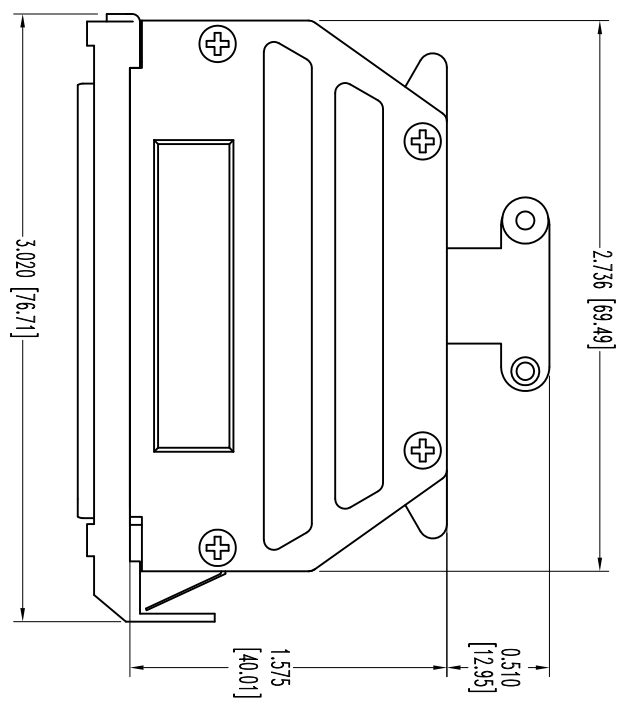


THIS DRAWING CONTAINS INFORMATION PROPRIETARY TO POSITRONIC AND ITS SUBSIDIARIES. POSITRONIC BELIEVES THE DATA ON THIS DRAWING TO BE RELIABLE, SINCE THE USER HAS ASSUMED THE RESPONSIBILITY FOR OBTAINING USER EVALUATION INFORMATION BASED ON DESCRIPTION AND RISK. POSITRONIC ASSUMES NO RESPONSIBILITY FOR RESULTS OBTAINED OR DAMAGES INCURRED FROM USE OF SUCH INFORMATION IN WHOLE OR IN PART.



NOTES:

1. MATERIALS AND FINISHES:

INSULATOR: GLASS FILLED DAP PER ASTM-D-5948, TYPE SD6-F, UL 94V-0, COLOR: GREEN.

CONTACTS: PRECISION MACHINED COPPER ALLOY GOLD FLASH OVER NICKEL PLATE.

SHELLS: STEEL WITH TIN PLATE.

HOOD AND CABLE CLAMPS: DIE CAST ZINC.

LOCKARM: STEEL WITH NICKEL PLATE.

LOCKARM SPRING: BERYLLIUM COPPER WITH NICKEL PLATE.

COVER SCREWS: STEEL WITH NICKEL PLATE.


MOUNTING SCREWS: STEEL, ZINC PLATE WITH CHROMATE SEAL.

2. DETAILED PRODUCT, MECHANICAL, AND ELECTRICAL INFORMATION IS AVAILABLE IN THE LATEST STANDARD DENSITY D-SUB PRODUCT PUBLICATION. VISIT CONNECTPOSITRONIC.COM/PRODUCTS/45/STANDARDENSITYD-SUBMINIATURE OR CONNECTPOSITRONIC.COM.

3. DIMENSIONS ARE IN INCHES [MILLIMETERS].

DATE	REV	REVISION RECORD	APP	DR	OK
7-11	NC	ECO 34224	COLF	BS	COLF

SK12447

 <p>POSITRONIC INDUSTRIES INC. www.connectpositronic.com</p>		SCALE		DRAWN BY	
		N.T.S.		B SHELLIDY	
TITLE		RD SPRINGS		APPROVED BY	
RD37S00C-V1X		COLE		FSCM 28198	
DATE	7-11-11	DRAWING NUMBER	SK12447	REV.	NC
ANGULAR TOL.	± 5°	DECIMAL TOL.	± 0.015 [0.38]		