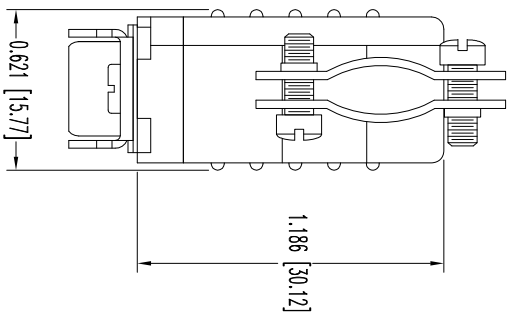
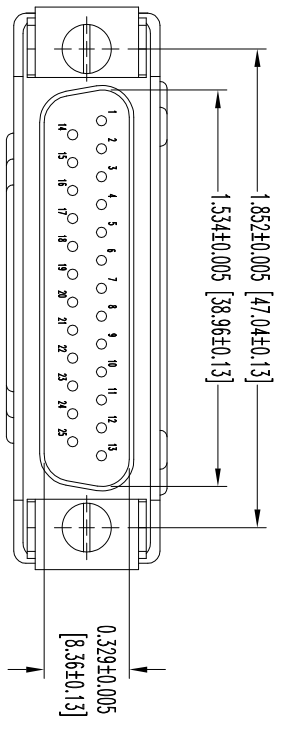
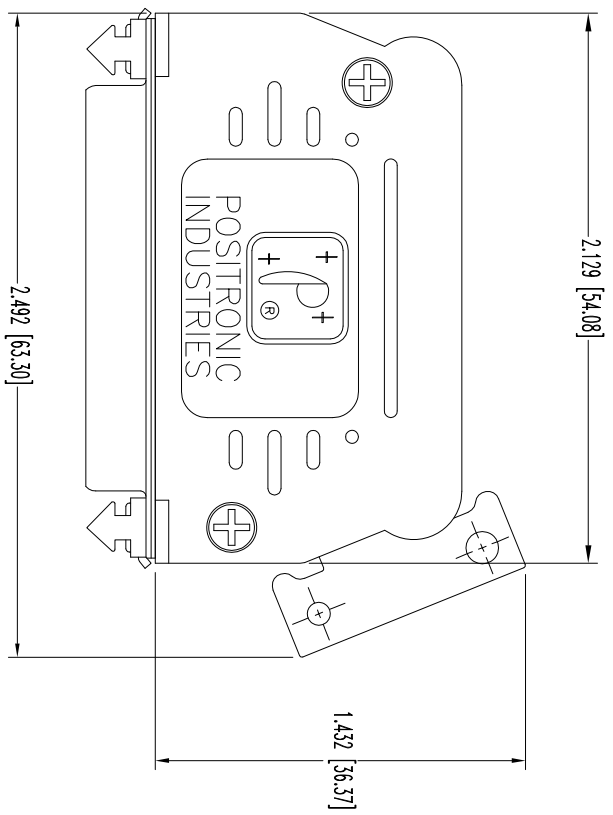


THIS DRAWING CONTAINS INFORMATION PROPRIETARY TO POSITRONIC AND IS SUBMITTED FOR POSITRONIC BELIEFS THAT IT IS NOT TO BE REPRODUCED OR TRANSMITTED IN ANY FORM OR BY ANY MEANS, ELECTRONIC OR MECHANICAL, INCLUDING PHOTOCOPYING, RECORDING, OR BY ANY INFORMATION STORAGE AND RETRIEVAL SYSTEM. THE USER EMPLOYS SUCH INFORMATION AT HIS OWN DISCRETION AND POSITRONIC ASSUMES NO RESPONSIBILITY FOR ANY DAMAGES, INCLUDING CONSEQUENTIAL DAMAGES, ARISING FROM THE USE OF SUCH INFORMATION IN WHOLE OR IN PART.

SK11526

DATE	REV	REVISION RECORD	APP	DR	CK
5-24	10	NC	TK	BS	TK



NOTES:

1. MATERIALS AND FINISHES:

INSULATOR: GLASS FILLED DAP PER ASTM-D5948, SDG-F, UL 94V-0, COLOR: GREEN.

SHELLS: STEEL, ZINC PLATE WITH CHROMATE SEAL.

HOOD: GLASS FILLED NYLON, UL 94V-0, COLOR: BLACK.

CABLE CLAMPS: STEEL WITH NICKEL PLATE.

LOCK TABS: STEEL WITH NICKEL PLATE.

2. DETAILED PRODUCT, MECHANICAL, AND ELECTRICAL INFORMATION IS AVAILABLE IN THE LATEST STANDARD DENSITY D-SUB PRODUCT PUBLICATION. VISIT [CONNECTPOSITRONIC.COM/PRODUCTS/45/STANDARD-DENSITY-D-SUB](http://CONNECTPOSITRONIC.COM/PRODUCTS/45/STANDARD-DENSITY-D-SUB)

CONNECTPOSITRONIC.COM

3. DIMENSIONS ARE IN INCHES [MILLIMETERS].



**POSITRONIC INDUSTRIES INC.**  
www.connectpositronic.com

FSCM 28198

DECIMAL TOL. ± 0.015 [0.35]	ANGULAR TOL. ± 5°	DATE 5-24-10	DRAWING NUMBER SK11526	REV. NC
		<b>RD25M00LV30</b>		
RD SERIES		SCALE N.T.S.		
TITLE		DRAWN BY B SHELLBY		
RD25M00LV30		APPROVED BY T KAPLBY		