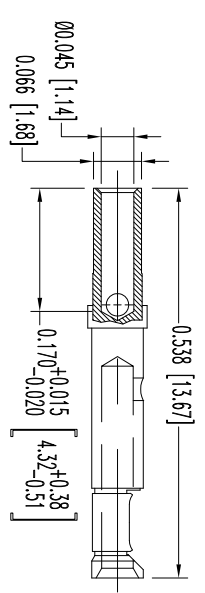
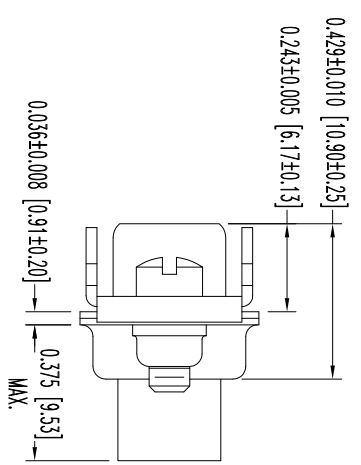
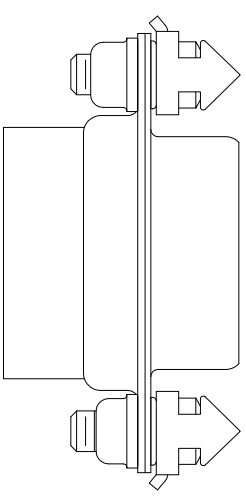
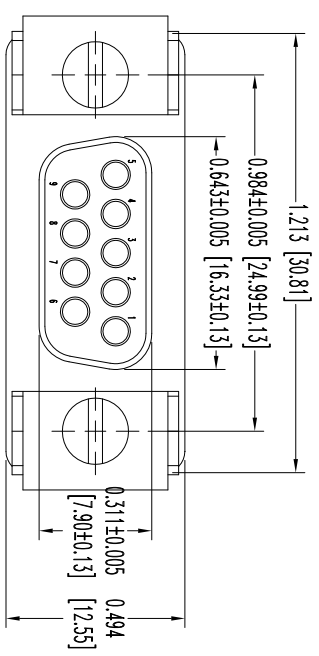


THIS DRAWING CONTAINS INFORMATION PROPRIETARY TO POSITRONIC INDUSTRIES INC. THE DATA ON THIS DRAWING TO BE RELEASED SINCE THE USER EMPLOYS SUCH INFORMATION AT HIS OWN DISCRETION. RESULTS OBTAINED OR DAMAGES INCURRED FROM USE OF SUCH INFORMATION IN WHOLE OR IN PART.



**9X FEMALE CONTACT**  
**ENLARGED**

**NOTES:**

- 1. MATERIALS AND FINISHES:**  
 INSULATOR: GLASS FILLED DAP PER ASTM-D-5948, SD6-F, UL 94V-0, COLOR: GREEN.  
 CONTACTS: PRECISION MACHINED COPPER ALLOY, GOLD FLASH OVER NICKEL PLATE.  
 SHELLS: STAINLESS STEEL, PASSIVATED.  
 LOCK TABS: STEEL WITH TIN PLATE.
- 2. DETAILED PRODUCT, MECHANICAL, AND ELECTRICAL INFORMATION IS AVAILABLE IN THE LATEST STANDARD DENSITY D-SUB PRODUCT PUBLICATION. VISIT [CONNECTPOSITRONIC.COM/PRODUCTS/45/STANDARDENSITYD-SUBMINIATURE](http://CONNECTPOSITRONIC.COM/PRODUCTS/45/STANDARDENSITYD-SUBMINIATURE) OR [CONNECTPOSITRONIC.COM](http://CONNECTPOSITRONIC.COM).**
- 3. DIMENSIONS ARE IN INCHES [MILLIMETERS].**

DATE	REV	REVISION RECORD	APP	DR	CK
9-05-13	NC	ECO 40678	COLB	BS	COLB

SK15238



**POSITRONIC INDUSTRIES INC.**  
[www.connectpositronic.com](http://www.connectpositronic.com)

FSCM 28198

DECIMAL TOL. ± 0.015 [0.38]	RD SERIES	SCALE N.T.S.	DRAWN BY B SHELLARDY
ANGULAR TOL. ± 5°	TITLE RD9S1S50V3S	DATE 9-05-13	APPROVED BY COLB
	DRAWING NUMBER SK15328		REV. NC