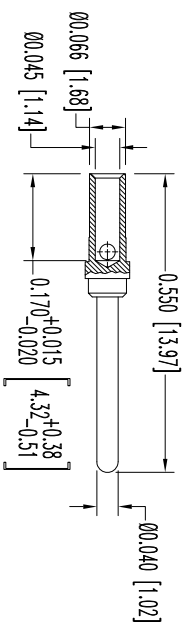
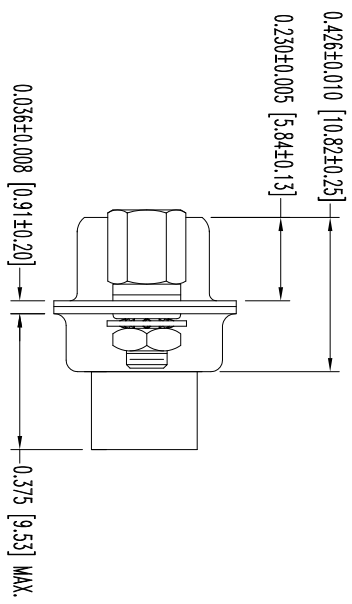
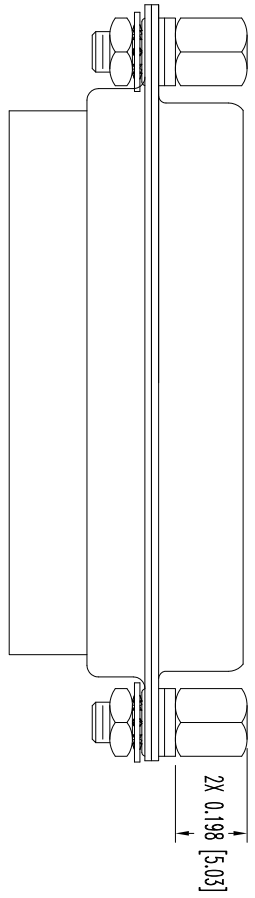
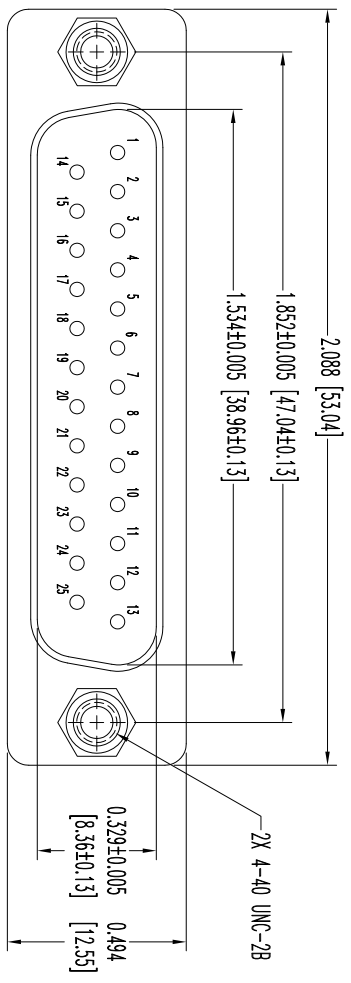


THIS DRAWING CONTAINS INFORMATION PROPRIETARY TO POSITRONIC AND ITS SUBSIDIARIES. POSITRONIC BELIEVES THE DATA ON THIS DRAWING TO BE RELIABLE, SINCE THE USER HAS BEEN ADVISED OF THE LIMITATIONS OF THE DATA AND RISK. POSITRONIC ASSUMES NO RESPONSIBILITY FOR SUCH INFORMATION IN WHOLE OR IN PART.

DATE	REV	REVISION RECORD	APP	DR	CK
10-03	NC	ECO 37224	COLF	BS	COLF

SK14467



25X MALE CONTACT
 ENLARGED

- NOTES:
1. MATERIALS AND FINISHES:
 INSULATOR: GLASS FILLED DAP PER ASMT-D5948, SD6-F, UL 94V-0, COLOR: GREEN.
 CONTACTS: PRECISION MACHINED COPPER ALLOY, GOLD FLASH OVER NICKEL PLATE.
 SHELS: STEEL, ZINC PLATE WITH CHROMATE SEAL.
 JACKSCREWS: STEEL, ZINC PLATE WITH CHROMATE SEAL.
 2. DETAILED PRODUCT, MECHANICAL, AND ELECTRICAL INFORMATION IS AVAILABLE IN THE LATEST STANDARD DENSITY D-SUB PRODUCT PUBLICATION. VISIT CONNECTPOSITRONIC.COM/PRODUCTS/45/STANDARDENSITY-D-SUBMINIATURE-OR-CONNECTPOSITRONIC.COM.
 3. DIMENSIONS ARE IN INCHES [MILLIMETERS].

		POSITRONIC INDUSTRIES INC. www.connectpositronic.com		FSCM 28198	
		RD STRIPS	SCALE N.T.S.	DRAWN BY B SHELLBOY	APPROVED BY COLE
DECIMAL TOL. ± 0.015 [0.38]	TITLE RD25M100T20	DATE 10-03-12	DRAWING NUMBER SK14467	REV. NC	
ANGULAR TOL. ± 5°					