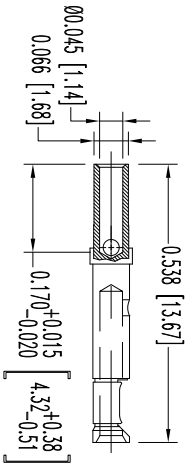
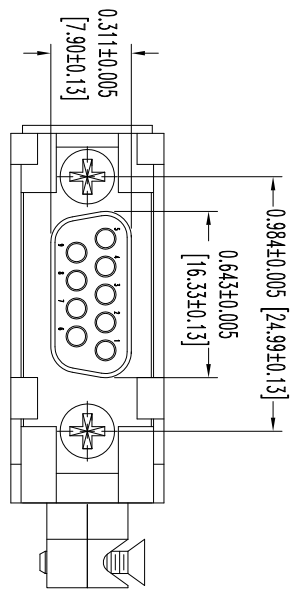
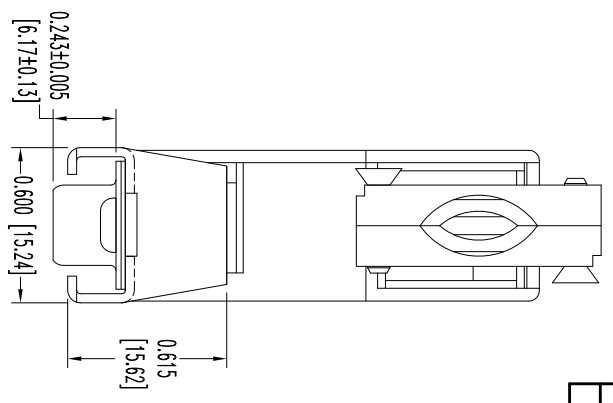
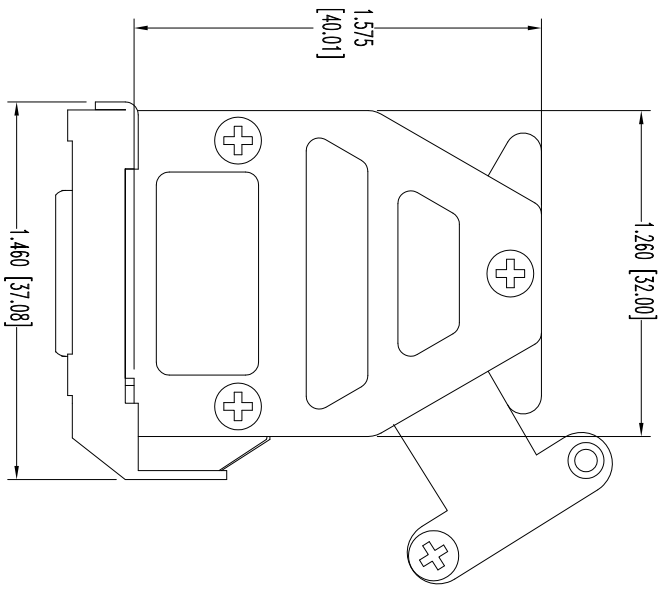


THIS DRAWING CONTAINS INFORMATION PROPRIETARY TO POSTRONIC, INC. ANY REPRODUCTION OR UNAUTHORIZED USE OF THIS DRAWING IS EXPRESSLY PROHIBITED, EXCEPT AS POSTRONIC, INC. MAY OTHERWISE AGREE IN WRITING.

SK13980

DATE	REV	REVISION RECORD	APP	DR	CK
3-30-12	NC	ECO 35463	COLF	BS	COLF



FEMALE CONTACT
9X (ENLARGED)

- NOTES:
- MATERIALS AND FINISHES:**
INSULATOR: GLASS FILLED DAP PER ASTM-D-5948, SUG-F, UL 94V-0, GREEN COLOR.
CONTACTS: PRECISION MACHINED COPPER ALLOY GOLD FLASH OVER NICKEL PLATE.
SHELS: STEEL WITH TIN PLATE.
HOOD: ZINC, DIE CAST.
CABLE CLAMPS: ZINC, DIE CAST.
LOCK LEVER: STEEL, NICKEL PLATE.
SCREWS: STEEL, NICKEL PLATE.
MOUNTING SCREWS: STEEL, ZINC PLATE WITH CHROMATE SEAL.
 - DETAILED PRODUCT, ELECTRICAL, AND MECHANICAL INFORMATION IS AVAILABLE IN THE LATEST STANDARD DENSITY D-SUB PRODUCT PUBLICATION. VISIT CONNECTPOSTRONIC.COM/PRODUCTS/45/STANDARDENSITYD-SUBMINIATURE OR CONNECTPOSTRONIC.COM.**
 - DIMENSIONS ARE IN INCHES [MILLIMETERS].**

		POSTRONIC INDUSTRIES INC. SPRINGFIELD, MISSOURI 65801	
		RD SERIES	SCALE N.T.S.
DECIMAL TOL. ± 0.015 [0.38]	TITLE RD9S10GV1X	DRAWN BY B SHELLBIDY	DATE 3-30-12
ANGULAR TOL. $\pm 5^\circ$	DRAWING NUMBER SK13980	APPROVED BY COLF	REV. NC