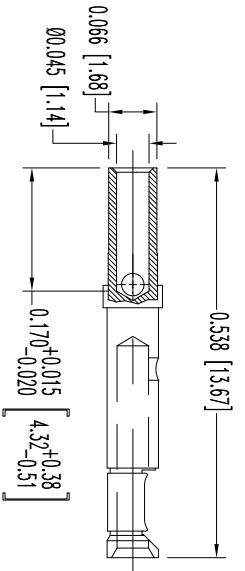
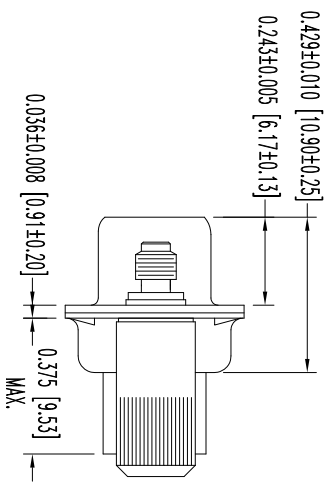
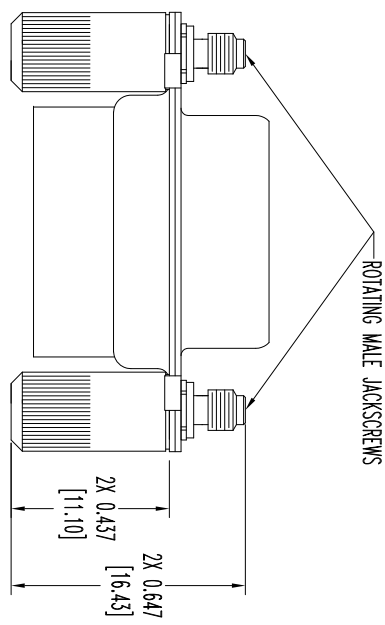
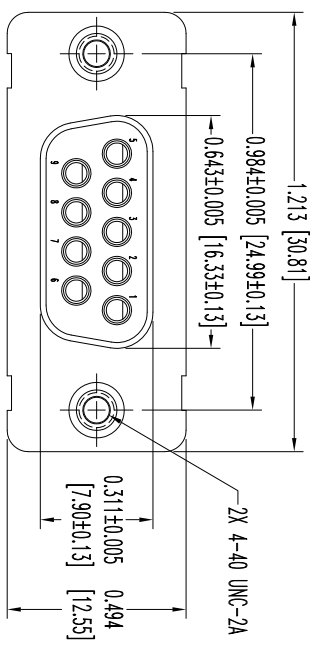


THIS DRAWING CONTAINS INFORMATION PROPRIETARY TO POSITRONIC AND ITS SUBSIDIARIES. POSITRONIC BELIEVES THE DATA ON THIS DRAWING TO BE RELIABLE, SINCE THE USER HAS BEEN ADVISED OF THE LIMITATIONS OF THE USER. POSITRONIC ASSUMES NO RESPONSIBILITY FOR RESULTS OBTAINED OR DAMAGES INCURRED FROM USE OF SUCH INFORMATION IN WHOLE OR IN PART.




9X FEMALE CONTACT
ENLARGED

- NOTES:
1. MATERIALS AND FINISHES:
INSULATOR: GLASS FILLED DAP PER ASTM-D3948, SDG-F, UL 94V-0, COLOR: GREEN.
CONTACTS: PRECISION MACHINED COPPER ALLOY WITH BERYLLIUM COPPER CLIP, GOLD FLASH OVER NICKEL PLATE.
SHELLS: STAINLESS STEEL, PASSIVATED.
JACKSCREWS: STAINLESS STEEL, PASSIVATED.
 2. DETAILED PRODUCT, MECHANICAL, AND ELECTRICAL INFORMATION IS AVAILABLE IN THE LATEST STANDARD DENSITY D-SUB PRODUCT PUBLICATION. VISIT CONNECTPOSITRONIC.COM/PRODUCTS/45/STANDARD/DENSITY-D-SUB-PRODUCT-PUBLICATION. VISIT
 3. CONNECTORS ARE COMPLIANT TO THE CURRENT ROHS DIRECTIVE.
 4. DIMENSIONS ARE IN INCHES [MILLIMETERS].

DATE	REV	REVISION/RECORD	APP	DR	CK
5-26-09	09	NC	ECO	31107	RCW
5-26-10	10	A	ECO	32527	COLB
12-13-12	12	B	ECO	37991	COLB

SK10803



POSITRONIC INDUSTRIES INC.
www.connectpositronic.com

RD SERIES
RD9S100E3S/AA

SCALE: N.T.S.
DRAWN BY: ME
APPROVED BY: R WILLIAMS

DATE: 5-26-09
DRAWING NUMBER: SK10803
REV: B

FSCM 28198