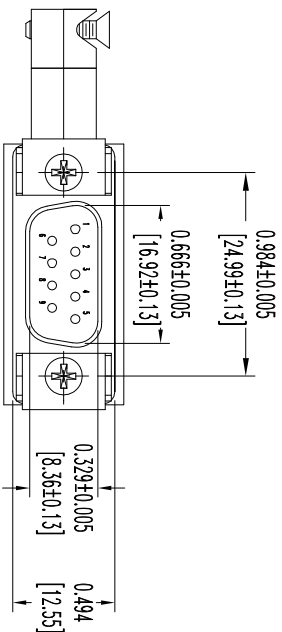
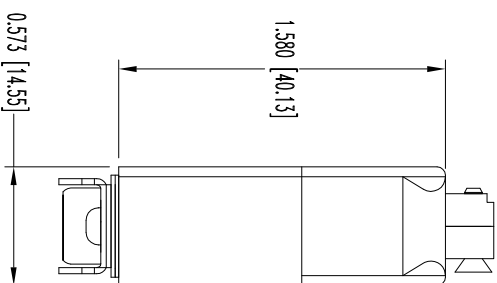
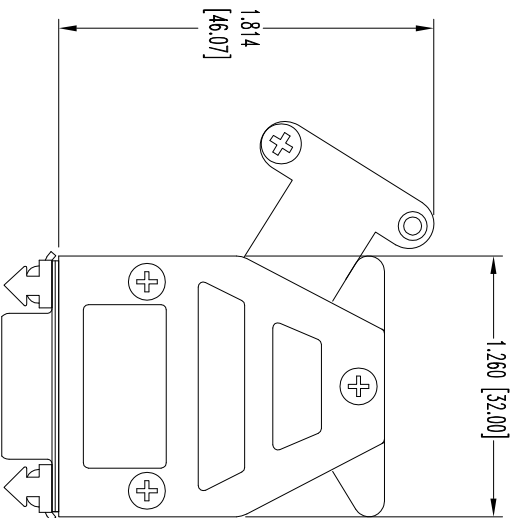


THIS DRAWING CONTAINS INFORMATION PROPRIETARY TO POSITRONIC AND ITS SUBSIDIARIES. POSITRONIC BELIEVES THE DATA ON THIS DRAWING TO BE RELIABLE. SINCE THE DRAWING IS A REPRESENTATION OF AN IDEAL DESIGN, THE TECHNICAL INFORMATION IS GIVEN WITHOUT WARRANTY OF MERCHANTABILITY AND RISK. POSITRONIC ASSUMES NO RESPONSIBILITY FOR RESULTS OBTAINED OR DAMAGES INCURRED FROM USE OF SUCH INFORMATION IN WHOLE OR IN PART.



NOTES:

1. MATERIALS AND FINISHES:

INSULATOR: GLASS FILLED DAP PER ASTM-D-5948, SDG-F, UL 94V-0, GREEN COLOR.

SHELLS: STEEL, ZINC PLATED WITH CHROMATE SEAL.

HOOD AND CABLE CLAMPS: ZINC DIE CAST.

CABLE CLAMP SCREWS: STEEL, NICKEL PLATE.

LOCK TABS: STEEL, NICKEL PLATE.

LOCK TAB SCREWS: STAINLESS STEEL, PASSIVATED.

2. ELECTRICAL CHARACTERISTICS:

INSULATOR RESISTANCE: 5 G OHMS.


WORKING VOLTAGE: 300 V r.m.s.

3. WORKING TEMPERATURE: -55° C TO +125° C.

4. DIMENSIONS ARE IN INCHES [MILLIMETERS].

DATE	REV	REVISION/RECORD	APP	DR	CK
6-04-09	NC	ECO 31139	RCW	BS	RCW

SK10822

 <p>POSITRONIC INDUSTRIES INC. www.connectpositronic.com</p>		SCALE		DRAWN BY	
		N.T.S.		B SHELLBY	
DATE		DRAWING NUMBER		REV.	
6-04-09		SK10822		NC	
TITLE		RD SPRIRS		APPROVED BY	
RD9M00GV30		R WILLIAMS		FSCM 28198	
DECIMAL TOL.		ANGULAR TOL.			
± 0.015 [0.38]		± 5°			