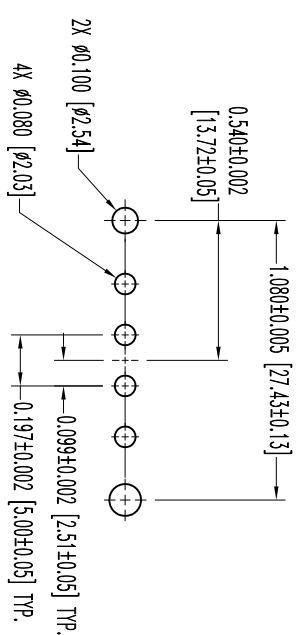
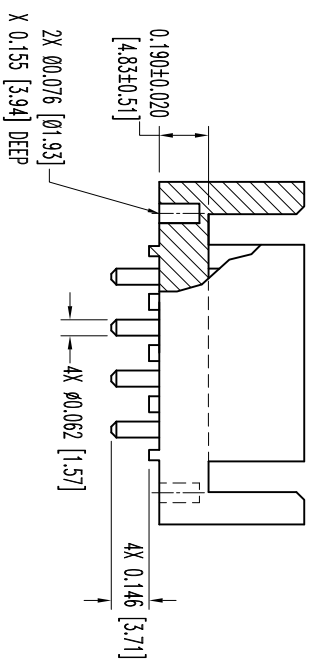
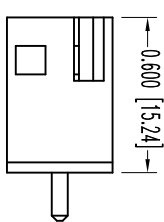
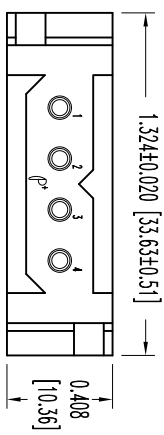


THIS DRAWING CONTAINS INFORMATION PROPRIETARY TO POSITRONIC AND ITS SUBSIDIARIES. POSITRONIC BELIEVES THE DATA ON THIS DRAWING TO BE RELIABLE, SINCE THE USER HAS NOT SIGNIFICANTLY CHANGED THE DESIGN OR USER HAS NOT SIGNIFICANTLY CHANGED THE DESIGN AND RISK. POSITRONIC ASSUMES NO RESPONSIBILITY FOR RESULTS OBTAINED OR DAMAGES INCURRED FROM USE OF SUCH INFORMATION IN WHOLE OR IN PART.




CONTACT HOLE PATTERN

DATE	REV	REVISION RECORD	APP	DR	CK
7-11	06	NC	RF	YK	TK
3-7	12	A	COLF	MP	COLF

SK6314

- NOTES:
1. MATERIALS AND FINISHES:
INSULATOR: GLASS FILLED POLYESTER, UL 94V-0, COLOR BLUE.
CONTACTS: PRECISION MACHINED COPPER ALLOY, GOLD FLASH OVER NICKEL.
 2. DETAILED PRODUCT, MECHANICAL, AND ELECTRICAL INFORMATION IS AVAILABLE IN THE LATEST POWER CONNECTION SYSTEMS PRODUCT PUBLICATION. VISIT CONNECTPOSITRONIC.COM/PRODUCTS/20/POWERCONNECTIONSYSTEMS OR CONNECTPOSITRONIC.COM.
 3. CONNECTORS ARE ROHS COMPLIANT PER ROHS DIRECTIVE 2002/95/EC OF 27 JAN 2003.
 4. DIMENSIONS ARE IN INCHES [MILLIMETERS].

 <p>POSITRONIC INDUSTRIES INC. www.connectpositronic.com</p>		SCALE		DRAWN BY	
		N.T.S.		YK	
DECIMAL TOL.		PCS SERIES		APPROVED BY	
± 0.015 [0.38]		R. WILLIAMS		FSCM 28198	
TITLE		DRAWING NUMBER			
PLA04M300A1/AA		SK6314			
DATE		REV.			
7-11-05		A			
ANGULAR TOL.					
± 5°					